

insē



Please do not hesitate to contact us whenever you want, we are always more than happy to help you!

 support@inselife.com  www.inselife.com



<https://bit.ly/inse-v70-v770-support>

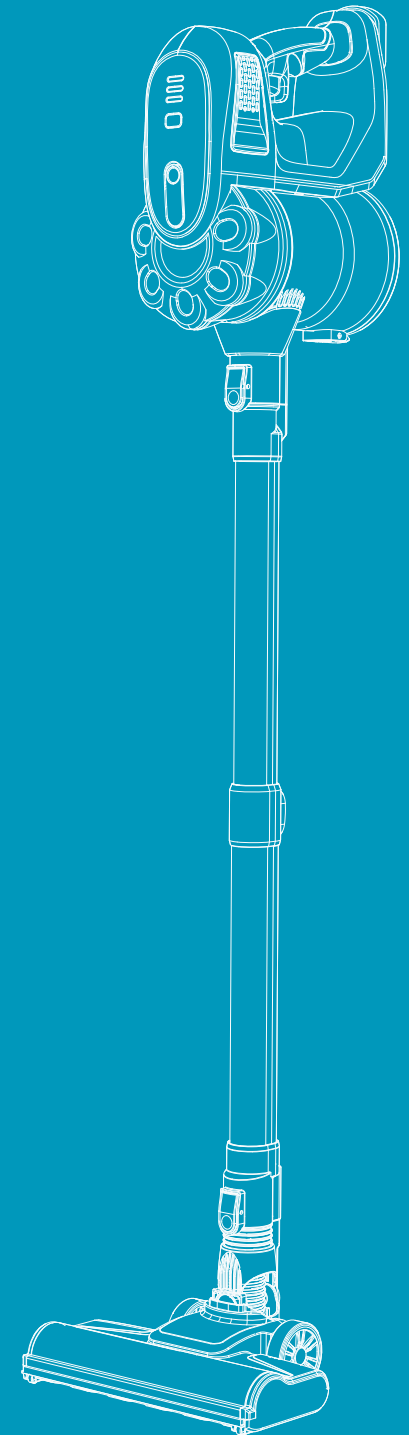
FC 
MADE IN CHINA

insē

USER MANUAL

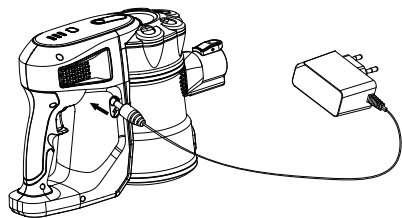
Cordless Stick
Vacuum Cleaner

V770

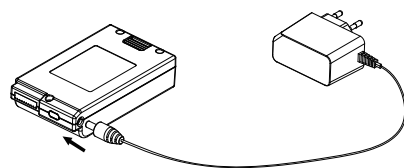


1. CHARGE THE BATTERY

Method 1: Charge the battery equipped in the machine.




Method 2: Charge the battery alone.



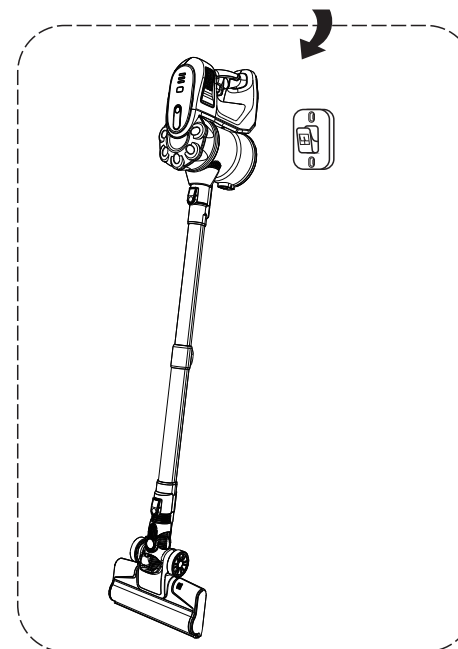
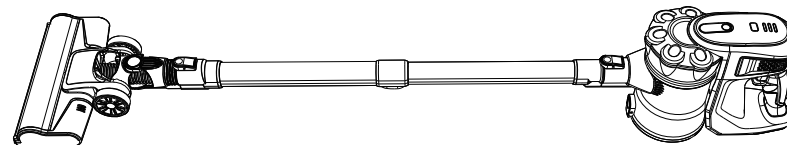
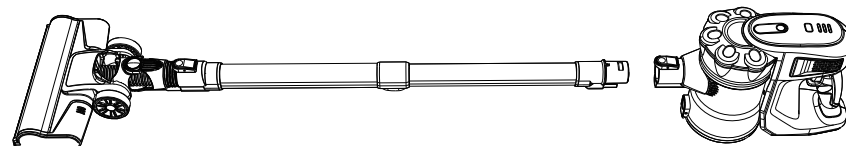
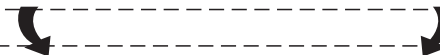
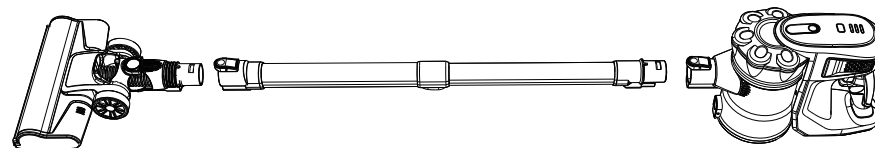
When the machine or battery is charged, there will be LED indicator

Battery Safety

- If the battery pack becomes exhausted, it should be removed from the product to avoid leakage.
- In the event of the battery pack leaking, do not allow any liquid to come into contact with the skin or eyes.
- If contact has been made, wash the affected area with copious amounts of water and seek medical advice.
- Keep the battery pack out of the reach of children.
- Secondary battery packs need to be charged before use. After extended periods of storage, it may be necessary to charge and discharge the batteries several times to obtain maximum performance.
- Do not leave battery packs on charge for prolonged periods of time.
- Do not use any charger other than that specifically provided for use with the product.
- The supply terminals are not to be short-circuited.
- Do not store above 60°C. Avoid storing in direct sunlight.
- Do not use any battery packs that are not designed for use with the product.
- Do not dispose of the battery pack in a fire.
- Do not crush, puncture, dismantle or otherwise damage the battery pack.
- Do not dismantle, open or shred battery packs.
- Do not expose the battery pack to heat or fire as it may explode.
- Do not subject the battery pack to mechanical shock.
- Do not dispose of the exhausted battery pack in household waste.
- To dispose of the exhausted battery pack, take it to a local recycling station.

 Regularly replace the filter to prevent the suction decline from affecting machine cleaning performance.

2. ASSEMBLY AND STORAGE

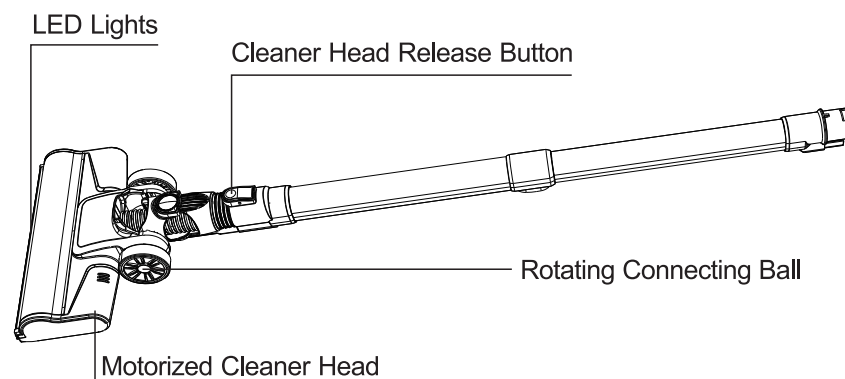
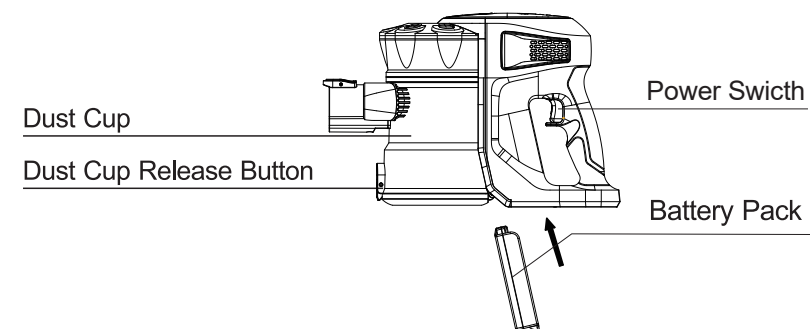


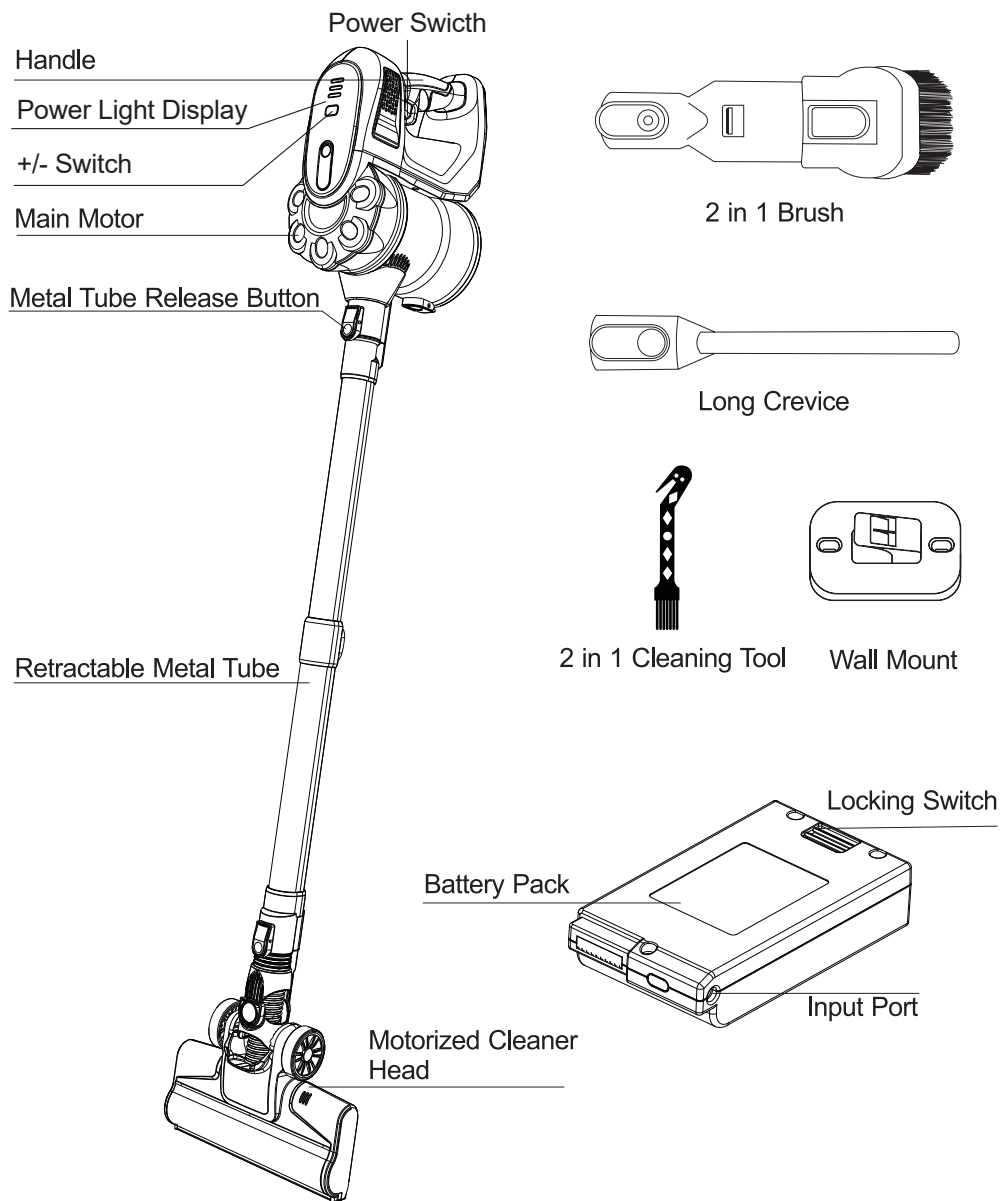
CONTENTS

- **Product Parts List and Schematic** ----- 01
- **Product Technical Parameters** ----- 03
- **Safety Warning** ----- 03
- **Product Introduction** ----- 04
 - Retractable Metal Tube Installation ----- 04
 - Motorized Cleaner Head Installation ----- 05
 - Assembling the Main Body ----- 05
 - 2 in 1 Brush and Long Crevice ----- 06
 - Adjustable Retractable Metal Tube ----- 06
- **Product Instruction** ----- 07
 - Preparation ----- 07
 - Start to Work ----- 07
 - Dust Cup Cleaning ----- 07
- **Maintenance** ----- 07
 - Clean Handheld Part of the Main Motor ----- 07
 - Clean Strainer ----- 07
 - Clean Dust Cup ----- 08
 - Clean Detachable Roller Brush ----- 08
 - Clean High Efficiency Sponge Filter ----- 08
- **Battery Indicators** ----- 09
- **Troubleshooting** ----- 09
- **Replacement Parts** ----- 10
- **WARRANTY** ----- 11
- **GENERAL CONTACT CHANNELS** ----- 11

Product Parts List and Schematic

Name	Quantity	Name	Quantity
Main Motor	1	Battery Pack	1
Retractable Metal Tube	1	Motorized Cleaner Head with Roller Brush	1
Wall Mount	1	Power Adapter	1
2 in 1 Brush	1	Long Crevice	1
2 in 1 Cleaning Tool	1	User Manual	1
Quick-start Guide	1	/	/





Product Technical Parameters

Product Category	Vacuum Cleaner	Product Model	V770
Dust Cup Capacity	1L	Rated Voltage	22.2V
Product Net Weight (Handheld Dust Machine)	1.6kgs	Rated Power	200W
Product Weight (Including All Attachments)	2.55kgs	Charging Time	4-5 hours
Power Adapter Input Voltage	26.5V	Battery Capacity	2200mAh
Power Adapter Input Current	500mA	/	/

Safety Warning

- When using electrical appliances, basic safety precautions should always be followed.
- Check the voltage indicated on the rating plate and confirm you connect the appliance to the power supply with correct voltage.
- Children whose aged from 8 years and above, people who with reduced physical, sensory or mental capabilities or lack of experience and knowledge can use this appliance, only if they have been given supervision or instruction concerning to use the appliance in a safe way and understand the hazards involved.
- Children should be supervised to ensure that they do not play with the appliance.
- This appliance is not a toy.
- If any part is damaged due to human error, only a qualified electrician can repair it. Please note the appliance is not under warranty in this case.
- Improper repairs may put the user in danger.
- Keep away from children aged below 8 years old.
- Keep the appliance away from heat or sharp edges that could cause damage.
- Keep the appliance away from other heat emitting appliances.
- Do not immerse the appliance in water or any other liquid.
- Do not operate the appliance with wet hands.
- Do not remove from the adaptor from the mains power supply by pulling the cord; switch off and remove the plug by hand.
- Do not use the adaptor to recharge non-rechargeable batteries.
- Do not use the appliance if it has been dropped or if there are visible signs of damage.

- Do not use the appliance for anything other than its intended use.
- Do not use any parts/accessories or adaptors other than those supplied with this appliance, as this may cause damage.
- Do not use any damaged accessories or adaptors.
- Do not use this appliance outdoors.
- Do not store the appliance in direct sunlight or in high humidity conditions.
- Do not use if any of its openings are blocked.
- Do not use the appliance to pick up flammable liquid, matches, cigarette ends, hot ashes or any hot, burning or smoking objects.
- Do not use to pick up sharp objects such as glass or screws, etc.
- Do not use to pick up water or any other liquid, as this may cause electric shock.
- Take care when equipping accessories with rotating parts as this could cause entrapment
- Switch off the appliance and disconnect it from the mains power supply before changing or fitting accessories.
- Always ensure that the appliance has cooled fully after use before performing any cleaning or user maintenance.
- Use of an extension power cord with the power adapter is not allowed.
- Only use with provided power adapter.
- This appliance is intended for domestic use only. It should not be used for commercial purposes.

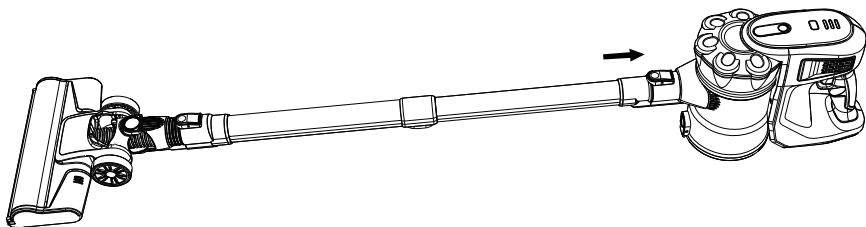
Caution

- The metal tube contains inner electric connections.
- Do not use to pick up any liquid.
- Do not immerse in water for cleaning.
- The metal tube should be checked regularly and must not be used if damaged.

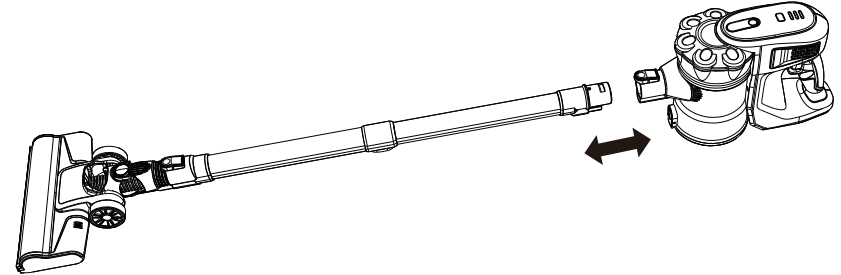
Product Introduction

Retractable Metal Tube Installation

Insert the metal tube end into the suction port of the main motor until you hear a click sound, make the connections is tight.



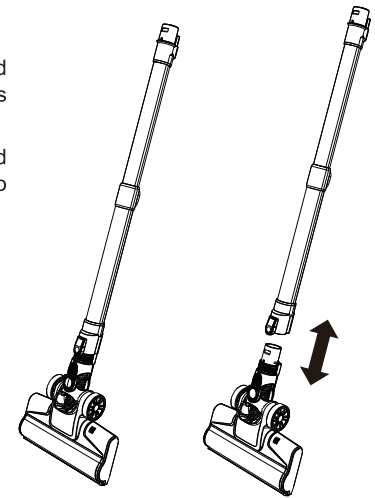
Press the metal tube release button with one hand, hold the main motor with another hand and then pull the handle to remove the metal tube.



Motorized Cleaner Head Installation

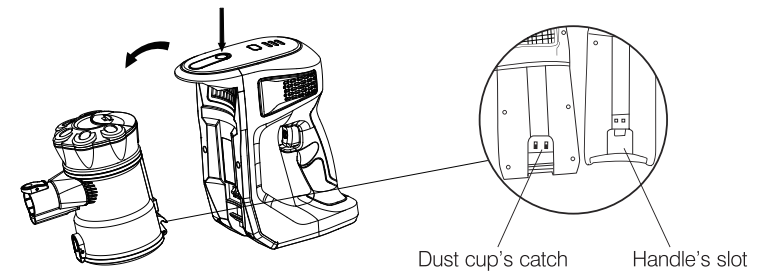
Insert the snap joint of the metal tube into the cleaner head until you hear a click sound, make sure the connection is tight.

Press the cleaner head release button with one hand, hold the metal tube with another hand and then pull it out to remove it.



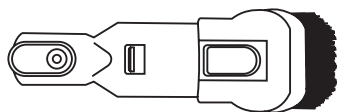
Assembling the Main Body

Make sure the handle slot match the dust cup's catch rightly as the picture, then connect the battery pack(handle) with the dust cup until hear a click to secure in place.

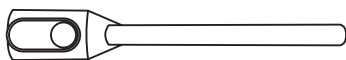


2 in 1 Brush and Long Crevice

Suitable for cleaning tight spaces such as corner, windowsill, drawer and keyboard, etc.



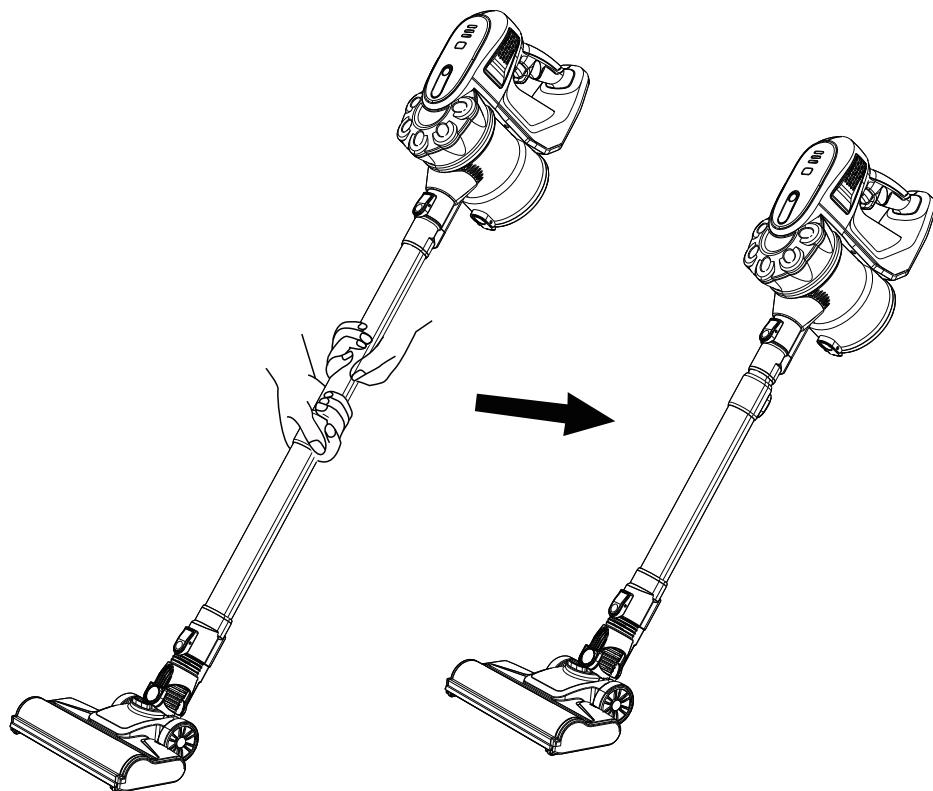
2 in 1 Brush



Long Crevice

Adjustable Retractable Metal Tube

Hold the stick pull it down then adjust the metal tube length.



Product Instruction

1.Preparation

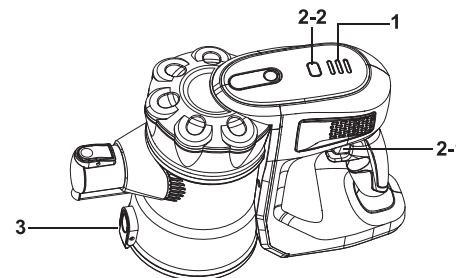
- Please check if the battery power is sufficient before using. It's suggested to charge about 4-5 hours before the first time of use to ensure utmost performance of the product.
- Choose the correct attachment according to the cleaning area.

2.Start to Work

- 2-1 Press the power switch to turn on the vacuum, and then press it again to turn it off.
- 2-2 Press the +/- button to switch the speed level between low and high.

3.Dust Cup Cleaning

- After turning off, press the dust cup release button and dump the dirt, and then close the bottom cover.



Maintenance

In order to make ensure max performance of the vacuum, please regularly maintain its components.

Clean Handheld Part of the Main Motor

- Please turn off the vacuum before cleaning.
- Wipe the surface with a clean cloth; avoid the water gets into the inner part of the vacuum.
- Do not place the vacuum under direct sunlight or in wet places after cleaning.

Clean Strainer

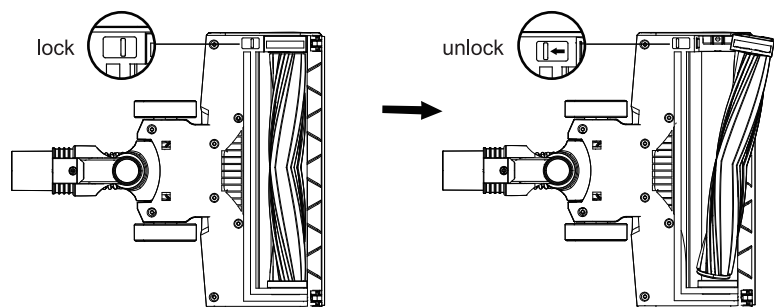
- The dust cup is transparent so you can always check the dust condition of the strainer. If it is full of dust, please clean it in time.

Clean Dust Cup

The sign -MAX- means dust capacity limit. Once the dust approaches or arrives the sign, please empty the dust cup. To further clean the dust cup, you could remove the strainer and inner filter.

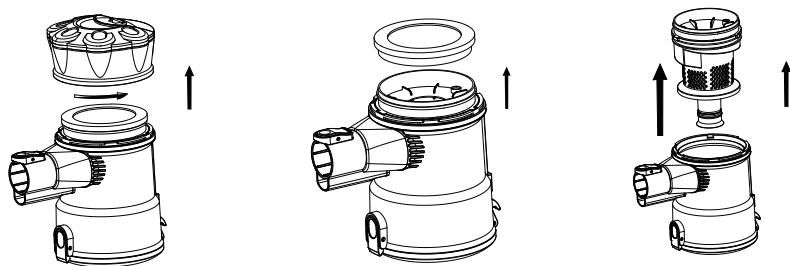
Clean Detachable Roller Brush

- Unlock the side lock on the underside of the cleaner head, take out the roller brush.
- Use the 2-in-1 cleaning gadget to cut and remove the tangled hair. Wipe to clean only, do not use any soap or harsh cleaning solvents.
- If the roller brush becomes damp, allow to dry naturally before reinstall.



Clean High Efficiency Sponge Filter

- Detach the dust container from the handle part.
- Twist the lid of the dust container anticlockwise to open.
- Remove the sponge inlet filter from the top of the dust container.



- Rinse thoroughly under the clean fresh water. Do not use soap or other detergents.
- Allow filter to dry naturally before placing back into the dust container.
- To reinstall the cover, line it up, then rotate down until it clicks into place.
- The filter should be replaced every 3 months to maximize filtration performance.

*Do not place on radiators or use additional appliances, such as a hair dryer, to dry the filter. Doing so may cause warp or other irreparable damage to the filter.

Battery Indicators

The product has three-block power indicator lights

- After correctly and firmly insert the battery pack into the main motor, press the power switch, the indicator lights would turn on to show the actual battery level.
- When the power is low than 5% of the total power, the indicator lights would flash; please charge the battery in time.
- When the battery is being charged, the indicator lights show the actual battery level in real time.
- Do not use the product while the battery is being charged.

* Please understand that the best discharge temperature of lithium batteries is 23°C(73.4°F) to -2°C(28.4°F). When the temperature is lower than -2°C(28.4°F), the discharge time will decrease 10%-20%, which means the run time may decrease during the cold environment.

Troubleshooting

Problems	Possible Causes	Solutions
Vacuum cleaner doesn't work	1. Low battery 2. Suction port is blocked	1-1. Charge the main motor with battery inserted 1-2. Take out the battery and charge it 2. Clean the blockage
Suction power is weakened	1. Dust cup and the inner sponge filter is full of dust 2. The cleaner head is blocked with hair; spitball or plastic bag, etc.	1. Clean the dust cup and filter 2. Clean the cleaner head
Motor has strange sound when working	Main suction port or metal tube are blocked	Clean the blockage
Roller brush stops spinning	Roller brush is tangled with hair	Clean all hair tangled with the brush, also remove the side cover of the brush to remove the hair and dust

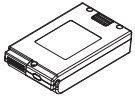

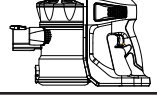


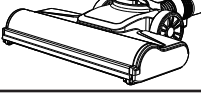


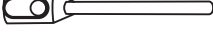
*The crossed out wheelee bin symbol on this item indicates that this appliance to be disposed of in an environmentally friendly way when it becomes of no further uses or has worn out. Contact your local authority for details of where to take the item for recycling.

Replacement Parts

For more info about accessories, please contact INSE to get support:

✉ www.inselife.com

🌐 support@inselife.com

Image	Part Name	Part Number
	Battery	V770-001
	Sponge Filter	V770-002
	Main Motor	V770-003
	Retractable Metal Tube	V770-004
	Charger	V770-005
	Motorized Cleaner Head	V770-006
	Roller Brush	V770-007
	2 in 1 Brush	V770-008
	Long Crevice	V770-009

WARRANTY

NOTE: THIS WARRANTY TERM GIVES YOU SPECIFIC LEGAL RIGHTS, AND YOU MAY ALSO HAVE OTHER RIGHTS WHICH VARY FROM STATE TO STATE.

12-month Warranty & Lifetime Customer Support

Only apply to eligible purchases made directly from the INSE authorized distributors. Warranty coverage applies to the original owner and to the original product only and is not transferable.

How to Initiate a Warranty Claim

If your appliance operates improperly while in use under normal household conditions within the warranty period, please contact our customer support [support@inselife.com] or visit www.inselife.com to fill out the warranty form to initiate a warranty claim.

For more warranty details, please refer to www.inselife.com.

All rights are reserved by INSE official website.

GENERAL CONTACT CHANNELS

If you have any questions about your INSE appliance, please contact us through our official email with your order number and details of where/when you bought the appliance.

Most questions can be solved over email by one of our professional INSE Customer Support Team members.

Website: For online help, general tips, videos and useful information about INSE Vacuum Cleaner, please visit www.inselife.com.

Email: support@inselife.com