

TABLE OF CONTENTS

PRE-USE INSTRUCTIONS	3
PRODUCT FEATURES.....	3
STANDARD PAYABLES.....	3
IMPORTANT PRECAUTIONS	4
CORRECT POSTURE TO USE THE PRODUCT	7
Maintenance Guide	9
OPERATION AND INSTALLATION.....	11
CONTROL MENU OPERATION	11
ON SCREEN DISPLAY(OSD)	12
INSTALLING THE MONITOR.....	21
MAKING CONNECTIONS.....	22
FAQ	23

• **PRE-USE INSTRUCTIONS**

Thank you for purchasing this product, please read it carefully and use the book correctly before use.

In addition, the accompanying product manual and the product website describe

Warranty Policy. If you have a problem with your product, please review the warranty policy and contact our after-sales email

E-Mail: HUSSOA@outlook.com

PRODUCT FEATURES

- 34 Inch Monitor
- Supports up to 3440*1440P resolution
- 165Hz refresh rate
- VESA 100mm*100mm

STANDARD PAYABLES

In addition to the monitor itself, please make sure that all of the following items are included

- Adapter
- DP cable
- Display Neck
- Display Neck
- Display base
- Product manuals



The supplied power cord is for use with this product only. Do not use it for other devices.

If you do not use the power cord included with this product, please use a power cord that meets the safety standards of your country.

• **IMPORTANT PRECAUTIONS**

Before using the product, please read the following precautions carefully and be sure to follow them.

*** If any abnormalities occur**

If there is smoke, strange smell, or noise, turn off the power switch immediately, unplug from the power outlet and contact your dealer or HUSSOA after-sales center for service. Direct use can cause fire and electric shock.

*** Do not remove or modify cabinets**

The cabinet is not dismantled or modified with higher voltage parts inside, dismantling the cabinet or modifying it can lead to fire or electric shock.

*** Do not place vases or cups near monitors**

Do not place containers containing water or other liquids or solve ents near the monitor. Spillage or entry can cause fire, electric shock, or malfunction. If water or other conditions are encountered, immediately turn off the power switch and unplug the power supply from the electrical outlet.

*** Do not place it in an unstable place**

Do not place the device on an unstable surface, such as an unsto

able table or on a tilt. It could fall or tip over and cause injury. Place the monitor on a flat, sufficiently sturdy and stable surface. If the monitor is dropped or the case is damaged, immediately turn off the power switch and unplug it from the outlet, which may cause a fire or electric shock if the monitor is used as is.

*** Do not use in places where water is present**

Please do not use it in the bathroom and other places where water or moisture enters. It can cause fire and electric shock.

*** Ground the power cord grounding lead**

For safety reasons, make sure the grounding lead is grounded. Make the grounding connection before inserting the power plug into the power outlet. Also, when removing the grounding, remove the grounding after unplugging the power plug from the power outlet. If the sequence is wrong, it can lead to electric shock.

*** Do not damage the power cord**

Do not place heavy objects on the power cord or press it under the monitor. In addition, do not forcibly bend, pull or heat the cord. If the cord is damaged, resulting in fire or electric shock.

*** Choose where to place it**

Do not place it underneath. It may cause fire, electric shock or malfunction.

x Places where there is a lot of humidity or dust

x Places where fumes or heat shine, such as by cooking tables or

x Places where direct sunlight or lighting shines directly onto the screen

x Near heating appliances

*** Hold the plug and pull it out.**

Do not pull off the power cord when unplugging the AC adapter, power cord or signal cord. Scratching the cord may result in fire or electric shock. Be sure to unplug the plug by grasping the part.

*** Do not touch the power plug with wet hands**

Do not re-plug the power supply with wet hands. May cause electric shock

*** Disconnect external connection cords when moving.**

Turn off the power switch, make sure that the power plug is unplugged from the power outlet, and make sure that connections such as signal cables have been unplugged and moved. Fire or electric shock may result.

CORRECT POSTURE TO USE THE PRODUCT

*** Take care of your eyes**

The position of the screen should be slightly lower than the height of the eyes, about 40~60cm away from the eyes before it is easy to see and will not feel fatigue. If the room used is too dark, the eyes will be fatigued. Please use it at the appropriate brightness. In addition, a long time to continue to look at the screen will cause eye fatigue, it is recommended to rest about 10 minutes every hour.



TO PREVENT LCD SCREEN BURN-IN

Displaying the same screen for a long period of time may cause screen burn-in (afterimage).

To prevent LCD screen burn-in:

- Use screensavers with moving images or all-white screens.
- Change the desktop screen background regularly.
- Set the LCD screen brightness to a subdued level.
- Turn off the LCD monitor when not using the computer.

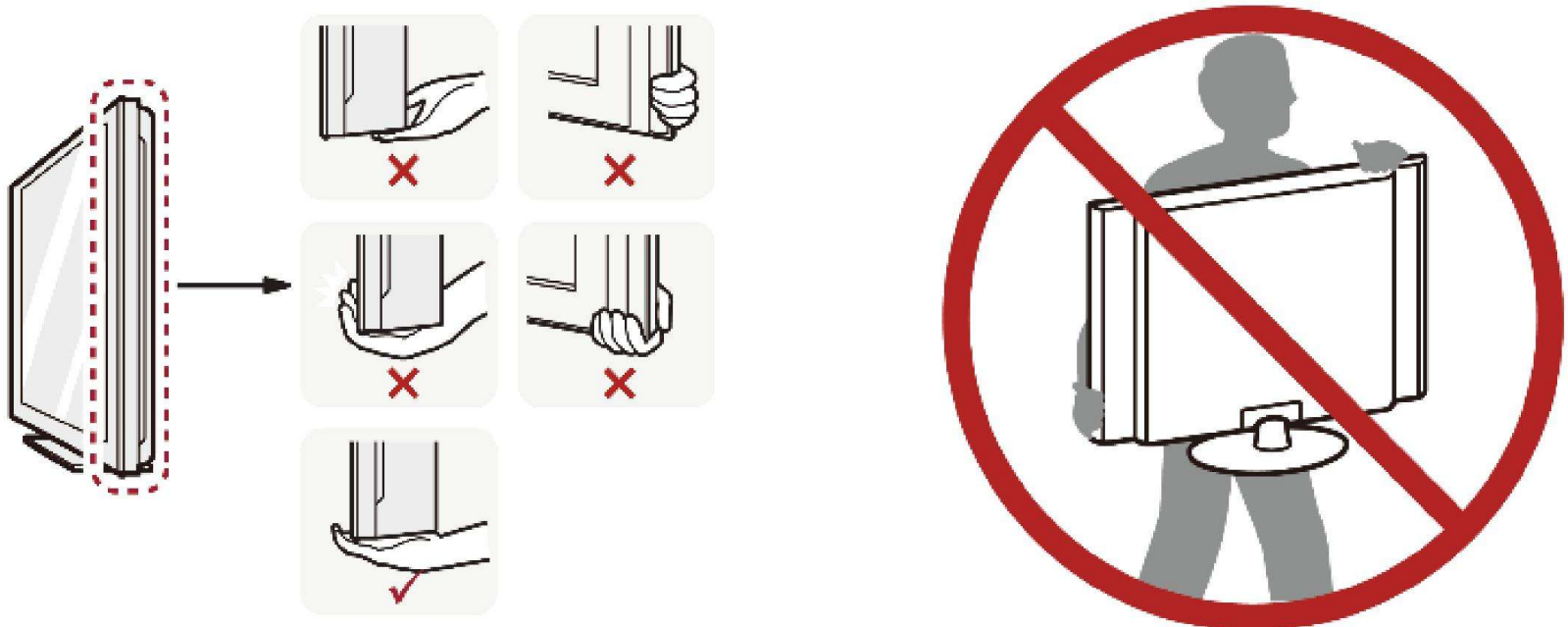
If the LCD screen is burned out:

- Turn off the LCD monitor for several hours.
- Set the screen saver to all black or all white and leave the screen saver on for a few hours.

MOVING AND LIFTING THE MONITOR

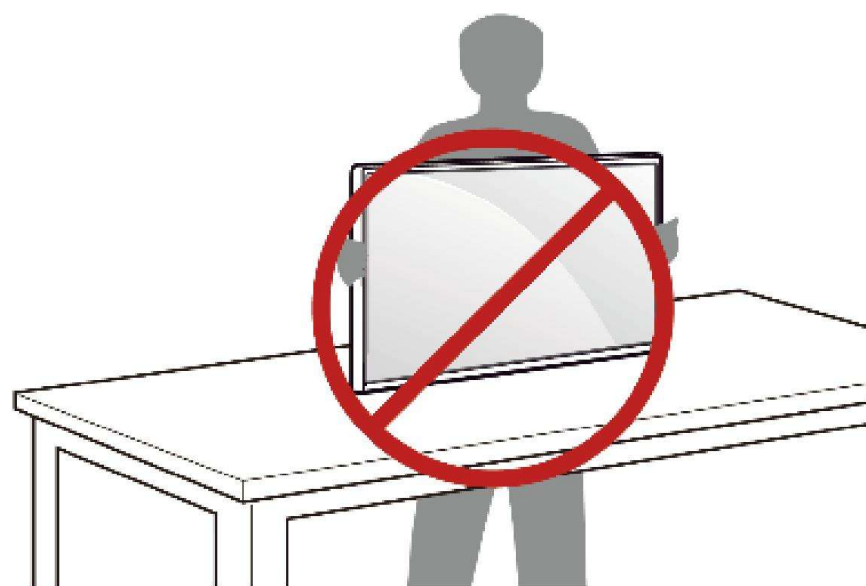
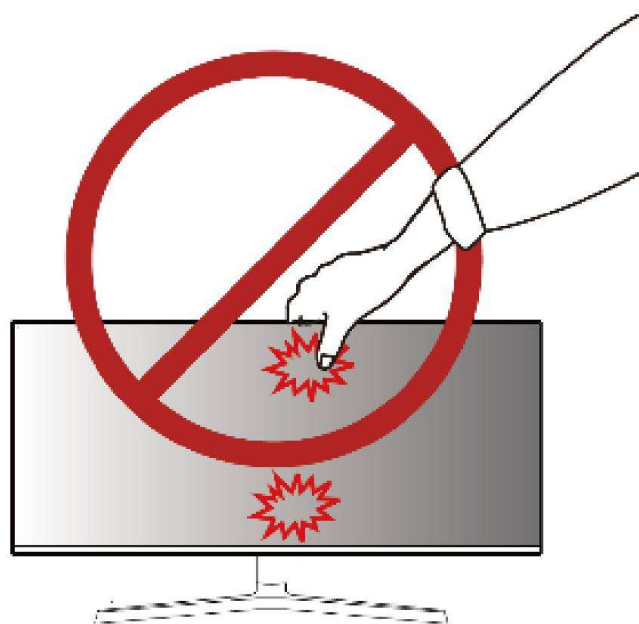
When moving or lifting the monitor, follow these instructions to prevent the monitor from being scratched or damaged and to ensure safe transportation, regardless of its shape or size.

- Place the monitor in the original box or packing material before attempting to move it.
- Before moving or lifting the monitor, disconnect the power cord and all other cables.
- Hold the bottom and side of the monitor frame firmly. Do not hold the panel itself.



- When holding the monitor, the screen should face away from you to prevent it from being scratched.
- When transporting the monitor, do not expose the monitor to shock or excessive vibration.

- When moving the monitor, keep it upright and never turn the monitor on its side or tilt it sideways.



Avoid touching the monitor screen as much as possible.
- This may result in damage to the screen or some of the pixels used to create images.

Maintenance Guide



Note: Please read and follow the safety instructions before cleaning the monitor.

Warning: Before cleaning the monitor, unplug the monitor power cord from the power outlet.

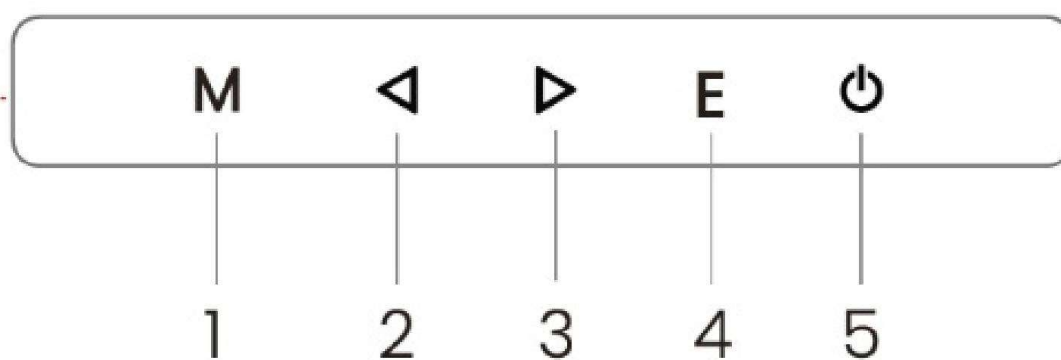
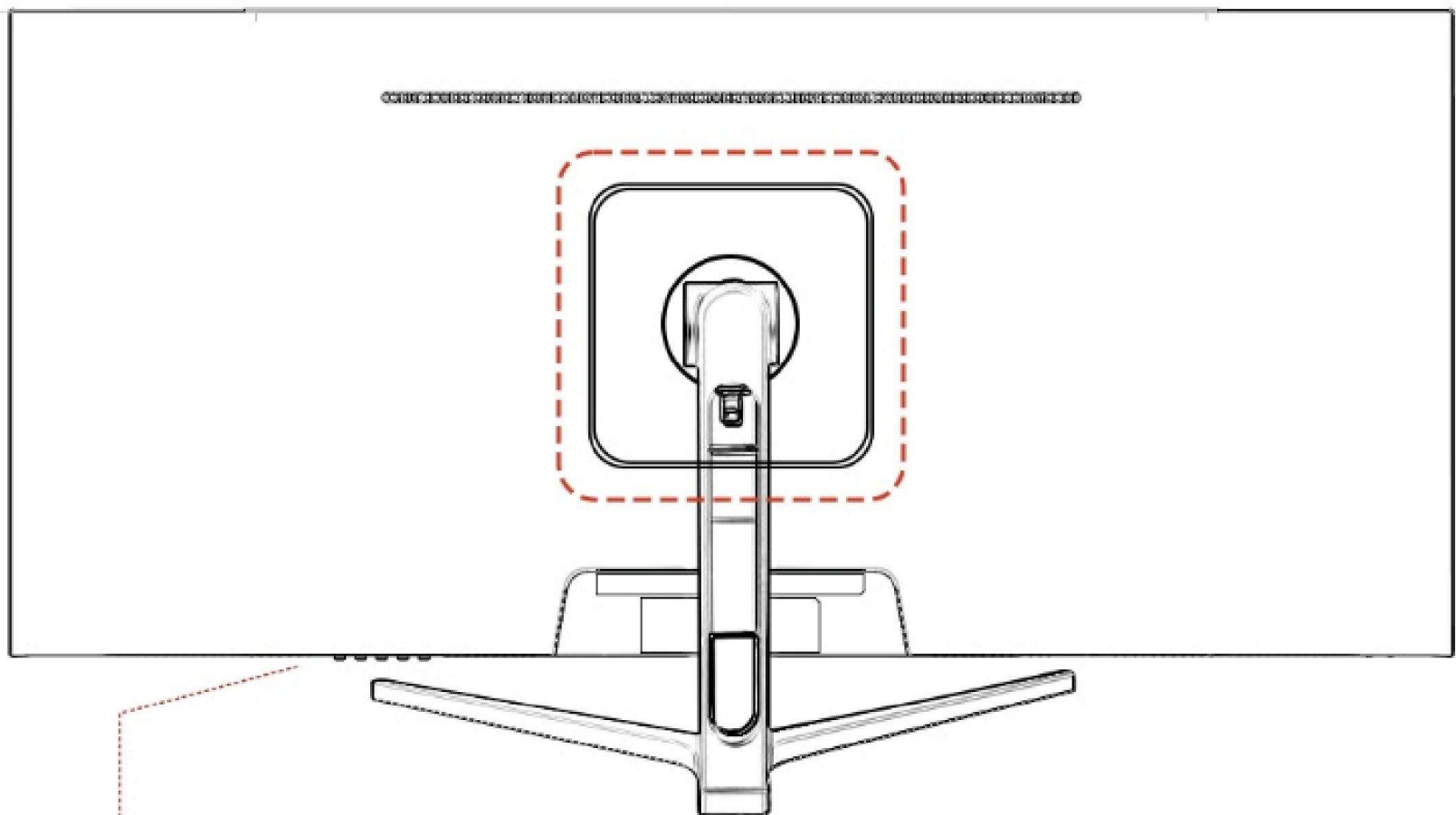
For best practice, please follow the instructions in the list below when unpacking, cleaning, or operating the monitor:

- If you find white powder when you open the monitor package, please wipe it off with a cloth. The white powder may be generated during the transportation of the monitor.

- When cleaning the antistatic screen, wet a clean soft cloth slightly in water. If possible, use special screen cleaning tissues or solvents suitable for antistatic coatings.
- Do not use any harsh chemicals or harsh paper or cloth to clean the screen, as these may damage or scratch the screen surface.
- Avoid using excessive pressure: Do not press hard on the LCD screen as this may cause damage to it. Also, don't place heavy objects on top of the screen that can put pressure on it.
- Avoid direct sunlight: Avoid direct sunlight hitting the screen as this can darken or "burn in" the screen. If the screen is in direct sunlight, reposition the monitor or use a sun visor.
- Turn off display when away: If you don't need to use the display for a while, turn it off. This not only prolongs screen life, but also saves energy.
- Avoid Prolonged Use: Prolonged use of LCD monitors may cause "burn-in" phenomenon. Therefore, you should try to avoid using the monitor continuously for more than a few hours. If you need to use the monitor for a long time, you can display moving images on the screen or use a screen saver

OPERATION AND INSTALLATION

* CONTROL MENU OPERATION

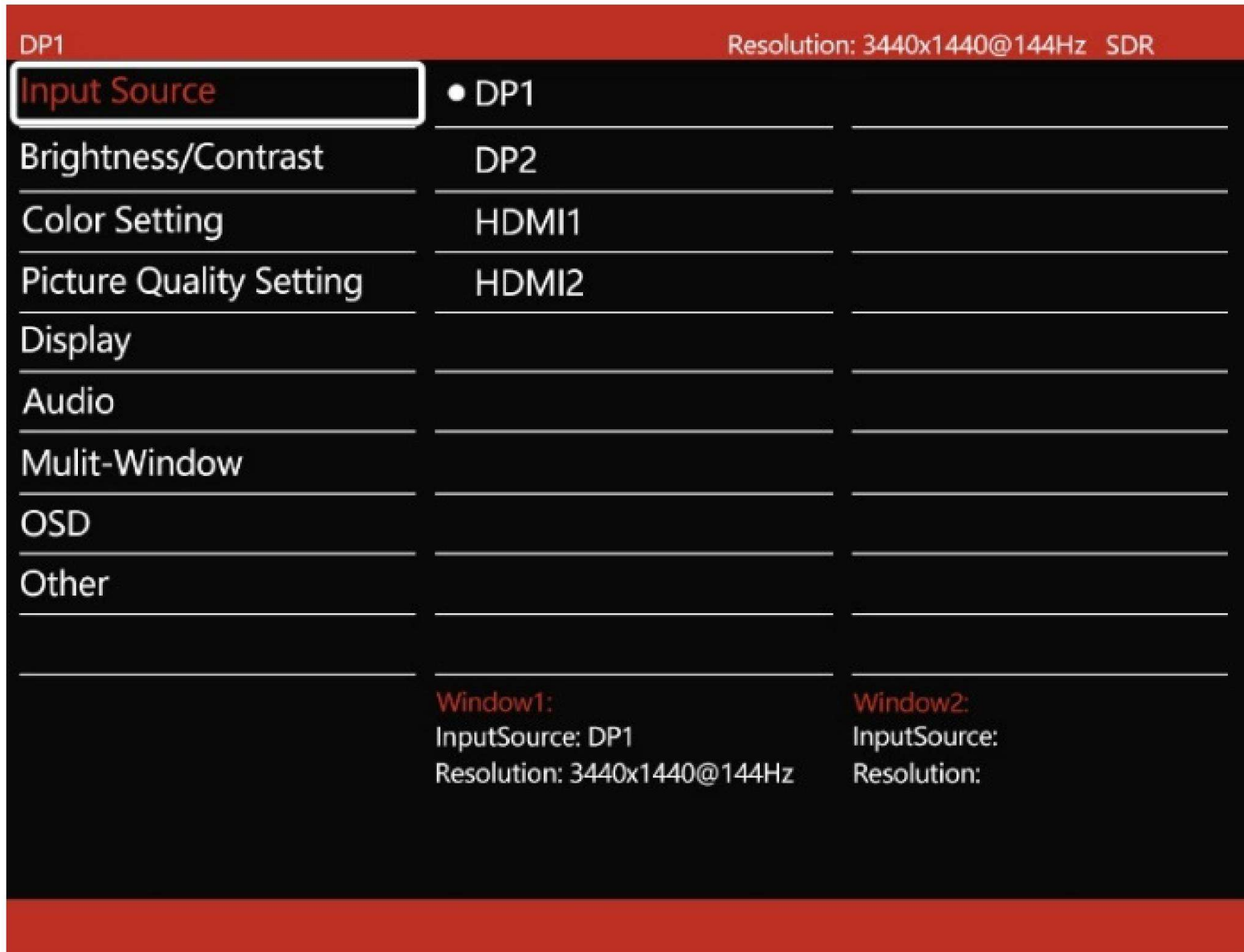


- M** MENU / SELECT
- ◀** UP / SITUATIONAL MODEL
- ▶** DOWN / BRIGHTNESS+
- E** EXIT / SOURCE
- ⏻** STANDBY POWER OFF/ON

ON SCREEN DISPLAY(OSD)

*The above functions may be adjusted due to different models or software version upgrades.For details,

* Monitor default 60Hz, want to achieve high brush please go to connect the device to modify.



* Input Source:

You can switch the video output signal here.

ON SCREEN DISPLAY(OSD)

DP1		Resolution: 3440x1440@144Hz SDR
Input Source	• Brightness	100
Brightness/Contrast	Blacklevel	50
Color Setting	Contrast	50
Picture Quality Setting	DCR	Off
Display		
Audio		
Mult-Window		
OSD		
Other		
	Window1: InputSource: DP1 Resolution: 3440x1440@144Hz	Window2: InputSource: Resolution:

* **Brightness/contrast:** Here, you can adjust the brightness and contrast of the screen.

ON SCREEN DISPLAY(OSD)

DP1		Resolution: 3440x1440@144Hz SDR
Input Source	Gamma	2.2
Brightness/Contrast	Picture Mode	Movie
Color Setting	Color Temperature	Warm
Picture Quality Setting	Low Blue Light	0
Display	Hue	50
Audio	Saturation	60
Mult-Window	Six axis Hue	
OSD	Six axis Saturation	
Other		
	Window1: InputSource: DP1 Resolution: 3440x1440@144Hz	Window2: InputSource: Resolution:

* **Color Setting:** Here, you can adjust the color temperature and gamut mode of the screen. And it can adjust the gamma value and low blue light mode for eye protection.

ON SCREEN DISPLAY(OSD)

DP1		Resolution: 3440x1440@144Hz SDR
Input Source	Sharpness	50
Brightness/Contrast	Response Time	Off
Color Setting	Dynamic Luminous Control	Off
Picture Quality Setting		
Display		
Audio		
Mult-Window		
OSD		
Other		
	Window1: InputSource: DP1 Resolution: 3440x1440@144Hz	Window2: InputSource: Resolution:

* **Picture Quality Setting:** Here, you can turn on acceleration response and adjust clarity.

ON SCREEN DISPLAY(OSD)

DP1		Resolution: 3440x1440@144Hz SDR
Input Source	Aspect Ratio	Wide Screen
Brightness/Contrast	LedMode	On
Color Setting		
Picture Quality Setting		
Display		
Audio		
Mult-Window		
OSD		
Other		
	Window1: InputSource: DP1 Resolution: 3440x1440@144Hz	Window2: InputSource: Resolution:

***Display:** You can adjust the screen ratio and RGB lighting behind the monitor here.

ON SCREEN DISPLAY(OSD)

DP1		Resolution: 3440x1440@144Hz SDR
Input Source	Mute	Off
Brightness/Contrast	Volume	50
Color Setting		
Picture Quality Setting		
Display		
Audio		
Multit-Window		
OSD		
Other		
	Window1: InputSource: DP1 Resolution: 3440x1440@144Hz	Window2: InputSource: Resolution:

***Audio:** You can adjust the volume and mute function of the audio interface here.

ON SCREEN DISPLAY(OSD)

DP1		Resolution: 3440x1440@144Hz SDR
Input Source	Mult-Window	Off
Brightness/Contrast	Sub Win2Input	DP1
Color Setting	PIP Size	Medium
Picture Quality Setting	PIP Position	TopRight
Display	Swap	
Audio		
Mult-Window		
OSD		
Other		
	Window1: InputSource: DP1 Resolution: 3440x1440@144Hz	Window2: InputSource: Resolution:

* **Mult Window:** Here, you can set the multi window PIP/PBP mode. Input sources and screen conditions can be adjusted.

ON SCREEN DISPLAY(OSD)

DP1		Resolution: 3440x1440@144Hz SDR
Input Source	Language	English
Brightness/Contrast	OSDH-Position	50
Color Setting	OSDV-Position	50
Picture Quality Setting	OSDTransparency	0
Display	OSD Time Out	10
Audio	OSDRotation	Normal
Mult-Window		
OSD		
Other		
	Window1: InputSource: DP1 Resolution: 3440x1440@144Hz	Window2: InputSource: Resolution:

***OSD:** Here, you can adjust the language and display of OSD menus.

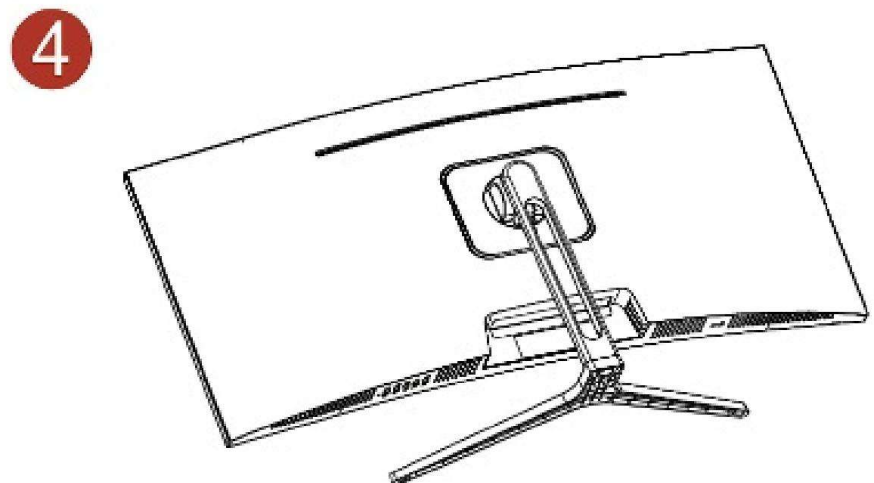
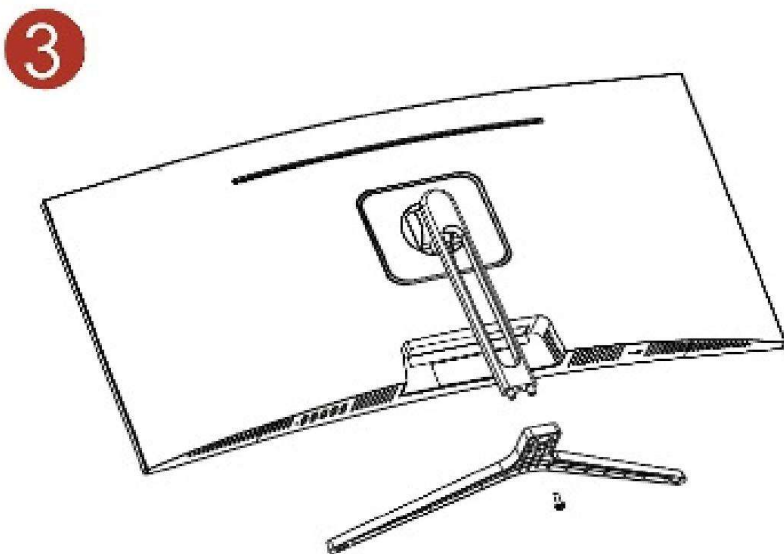
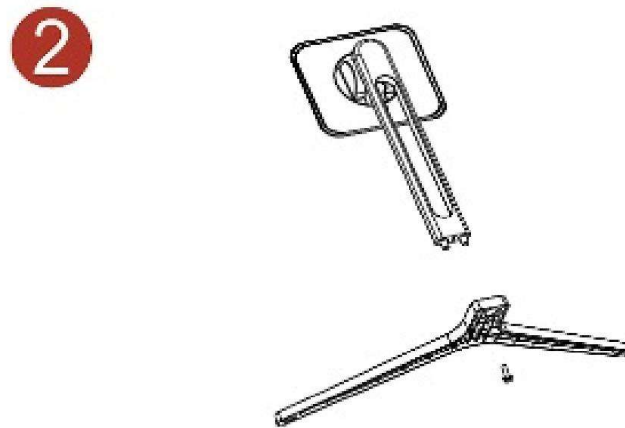
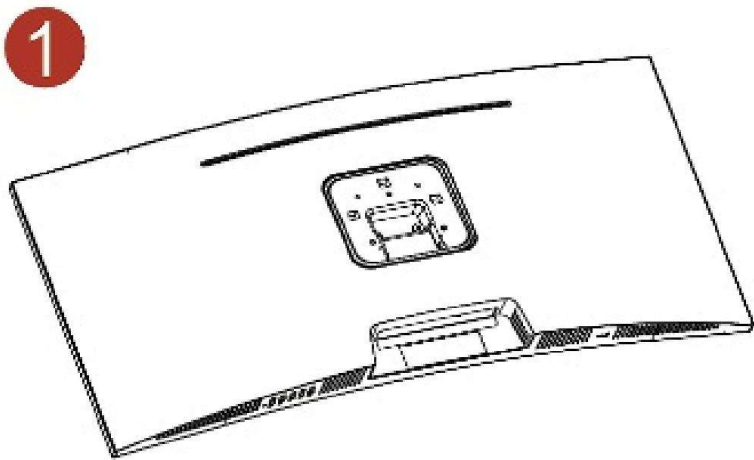
ON SCREEN DISPLAY(OSD)

DP1		Resolution: 3440x1440@144Hz SDR
Input Source	Adaptive-Sync	Off
Brightness/Contrast	HDR	Off
Color Setting	MPRT	Off
Picture Quality Setting	RefreshDisplay	Off
Display	Reset	
Audio		
Mult-Window		
OSD		
Other		
	Window1: InputSource: DP1 Resolution: 3440x1440@144Hz	Window2: InputSource: Resolution:

***Other:** Here, you can set up features such as Freesync and HDR. And reset the settings of the entire menu.

Adaptive-Sync: This can automatically adapt to Freesync and G-sync. After opening, it can eliminate screen tearing and lagging caused by high refresh rates.

INSTALLING THE MONITOR



* PLEASE NOTE

- Illustrations in this document represent typical procedures, so they may look different from the actual product.
- Place the product facing down on the Styrofoam (cushion), If Styrofoam is unavailable, use a thick sitting mat.
- Applying excessive force when tightening screws may cause damage to the monitor. Damage caused in this way will not be covered by the product warranty.
- Do not carry the monitor upside down by just holding the base. This may cause the monitor to fall off the stand and could result in personal injury.
- When lifting or moving the monitor, do not touch the monitor screen. The force applied to the monitor screen may cause damage to it.

MAKING CONNECTIONS

* **Select a connection method suitable for your PC.**

-Connecting parts may differ in different products.

-Provided ports may vary depending on the product.

·If it is a desktop computer, the cable needs to be connected to the interface of the

graphics card, not the interface of the motherboard.

·High brush monitor to achieve a perfect picture refresh rate requires the use of DP cable support.

Connection Using an DP Cable

DP IN



Connection Using the HDMI Cable

HDMI IN



-A DP cable shorter under 1.5 m in length is recommended. Using a cable longer than 1.5 m can affect the picture quality.

Connecting to Headphones



FREQUENTLY ASKED QUESTIONS

.If there is a problem with the monitor, you can refer to the following detection methods

.If you experience symptoms not listed here, or if they do not go away after you follow the instructions, please stop using the monitor and unplug it from the power outlet

*** Nothing is displayed on the screen**

Is the monitor's power cord plugged in?

.Check if the power cord is correctly plugged into the power outlet.

*** Is the power LED on?**

.Check the power cable connection and press the power button.

.Try to change a power cable with the same specifications(power cable specifications for 12V 5A 5.5mmX2.1mm)

*** Is the power LED blinking?**

.If the monitor is in sleep mode, move the mouse, or press any key

on the keyboard, to switch the display on.

.Check if the computer is turned on.

*** Is the OUT OF RANGE message being**

displayed?

.This occurs when signals transferred from the PC (graphics card) are out of the horizontal or vertical frequency range of the monitor. Please see the Product Specification section of this manual to set the appropriate frequency.

*** Is the No Signal message being displayed?**

.Check whether the monitor is connected to the correct port (note that it is the graphics card interface, not the motherboard interface), check whether the device connection cable is inserted firmly, and use the buttons to adjust to the correct signal receiving port.

How do I adjust the angle of my monitor

This type of monitor supports up and down adjustment of -5° to 15° .

1. Hold the monitor base
2. And then, use your other hand to gently lift the bottom of the monitor to lift it up. Please be careful not to press the screen. You just need to adjust the monitor to the angle you need.

How do I turn the crosshair on

This product is built with multiple styles of crosshairs

that you can turn on by clicking
the second button on the back of the screen and disr

Why does the monitor's refresh rate not reach high refresh

miss it by pressing the menu button.

1. First you need to determine whether the monitor you buy can reach a high refresh rate, such as 144Hz, 165Hz etc.
2. Check whether your graphics card has a DP interface
3. Use the correct cable, in order to achieve a high refresh rate, you need to use the DP cable
4. whether the signal cable is plugged into the monitor's excuse, not into the motherboard Interface

why am I connected to the headset in the monitor but no sound

1. Check if the monitor is selected as the sound playback device on the connected device
2. Check if the mute setting "Mute" is turned on in the mo nitor menu

TABLA DE CONTENIDO

PRE-INSTRUCCIONES DE USO.....	3
CARACTERÍSTICAS DEL PRODUCTO.....	3
CUENTAS POR PAGAR ESTÁNDAR.....	3
PRECAUCIONES IMPORTANTES.....	4
POSTURA CORRECTA PARA USAR EL PRODUCTO...	7
Guía de mantenimiento	9
OPERACIÓN E INSTALACIÓN	11
OPERACIÓN DEL MENÚ DE CONTROL.....	11
EN PANTALLA (OSD).....	12
INSTALANDO EL MONITOR.....	21
HACIENDO CONEXIONES;.....	22
Preguntas más frecuentes.....	23

• INSTRUCCIONES PREVIAS AL USO

Gracias por comprar este producto.

Por favor, léalo con atención y utilice el libro correctamente antes de usar.

Además, el manual del producto que lo acompaña y el Descripción del sitio web del producto

Póliza de garantía. Si tiene un problema con su producto, revise la póliza de garantía y póngase en contacto con nuestro

correo electrónico de ventas

Correo electrónico: HUSSOA@outlook.com

CARACTERÍSTICAS DEL PRODUCTO

Monitor de 34 pulgadas

Admite una resolución de hasta 3440*1440P.

Frecuencia de actualización de 165 Hz.

VESA 100mm*100mm

ESTÁNDAR PAGOS

Además del monitor en sí, por favor asegúrese de que que todos los siguientes artículos estén incluidos

Adaptador cable DP Mostrar Cuello

Mostrar Cuello Base de visualización Manuales de producto



El cable de alimentación suministrado es para uso exclusivo con este producto. No lo use para otros dispositivos.

Si no utiliza el cable de alimentación incluido con este producto, Por favor, utilice un cable de alimentación que cumpla con las normas de seguridad de su país.

- **PRECAUCIONES IMPORTANTES**

Antes de usar el producto, lea atentamente las siguientes precauciones y asegúrese de seguirlas.

- * **Si ocurre alguna anomalía**

Si hay humo, olor extraño o ruido, apague el

Apague el interruptor de alimentación inmediatamente, desenchúfelo de la toma de corriente y póngase en contacto con su distribuidor o con el centro de atención al cliente de HUSSOA para

Servicio. El uso directo puede provocar incendios y descargas eléctricas.

- * **No retire ni modifique los gabinetes.**

El gabinete no está desmantelado ni modificado con mayor.

Las piezas de voltaje en el interior, desmontando el armario o modificando

Puede provocar un incendio o una descarga eléctrica.

- * **No coloque jarrones o tazas cerca de monitores**

No coloque contenedores que contengan agua u otros líquidos o resolver problemas cerca del monitor. El derrame o la entrada pueden causar fuego, descarga eléctrica o mal funcionamiento. Si el agua u otro si se encuentran condiciones, apague inmediatamente el interruptor de encendido y desconecte la fuente de alimentación del toma de corriente.

- * **No lo coloques en un lugar inestable.**

No coloque el dispositivo en una superficie inestable, como un sin parar

mesa inclinada o inclinada. Podría caerse o volcarse y causar lesión. Coloque el monitor en una superficie plana, suficientemente resistente y estable. Si el monitor se cae o la carcasa se daña, apague inmediatamente el interruptor de alimentación y desconéctelo del tomacorriente, ya que podría provocar un incendio o choque eléctrico si el monitor se utiliza tal cual.

*** No utilizar en lugares donde haya agua.**

No lo use en el baño ni en otros lugares donde haya agua o humedad. Puede provocar incendios y descarga eléctrica

*** Conecta el cable de tierra a la toma de tierra.**

Por razones de seguridad, asegúrese de que el cable de tierra esté conectado a tierra. Realice la conexión a tierra antes de insertar el enchufe de alimentación en la toma de corriente. Además, al retirar la conexión a tierra, retire la conexión a tierra.

Después de desconectar el enchufe de alimentación de la toma de corriente. Si la secuencia es incorrecta, puede provocar una descarga eléctrica.

*** No dañe el cable de alimentación.**

No coloque objetos pesados sobre el cable de alimentación ni lo presione. No doble, tire ni caliente el monitor a la fuerza. El cable está dañado, lo que podría provocar un incendio o descarga eléctrica.

*** Elige dónde colocarlo**

No lo coloque debajo. Puede provocar incendios, descargas eléctricas, choque o mal funcionamiento.

x Lugares donde hay mucha humedad o polvo

x Lugares donde brillan los humos o el calor, como al cocinar mesas o

x Lugares donde la luz solar directa o la iluminación brilla directamente en la pantalla

Cerca de los aparatos de calefacción

*** Sostenga el enchufe y sáquelo.**

No tire del cable de alimentación al desenchufar el aire acondicionado.

Adaptador, cable de alimentación o cable de señal. Rasguño en el cable.

Puede provocar un incendio o una descarga eléctrica. Asegúrese de desenchufar el

Conecte sujetando la parte.

*** No toque el enchufe con las manos mojadas.**

No vuelva a conectar la fuente de alimentación con las manos mojadas. Mayo causar descarga eléctrica

*** Desconecte los cables de conexión externos al mover.**

Apague el interruptor de alimentación, asegúrese de que el enchufe de alimentación esté desconectado de la toma de corriente y asegúrese de que las conexiones, como los cables de señal, se hayan desconectado.

y se mueve. Podría producirse un incendio o una descarga eléctrica.

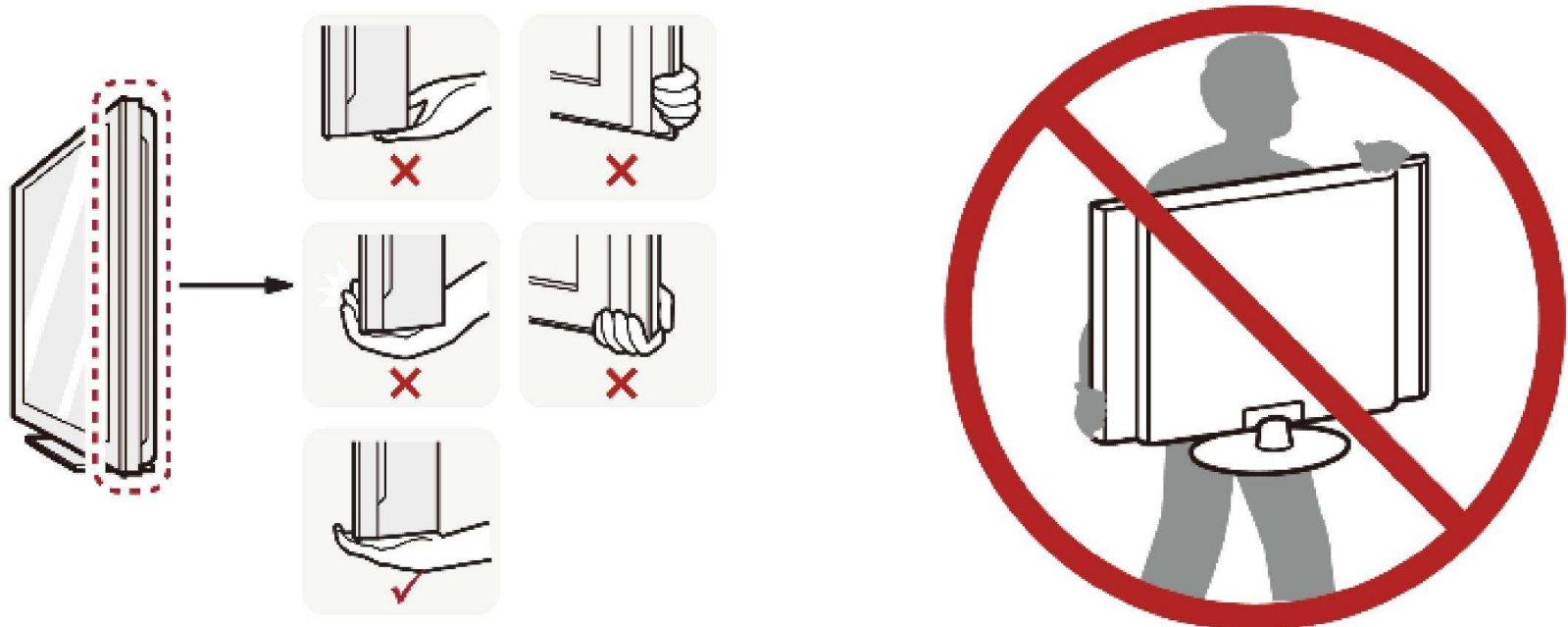
MOVER Y LEVANTAR EL MONITOR

Al mover o levantar el monitor, siga estos pasos:
instrucciones para evitar que el monitor se raye
o dañados y para garantizar un transporte seguro, independientemente
de su forma o tamaño.

Coloque el monitor en la caja original o material de embalaje.
antes de intentar moverlo.

Antes de mover o levantar el monitor, desconecte el
cable de alimentación y todos los demás cables.

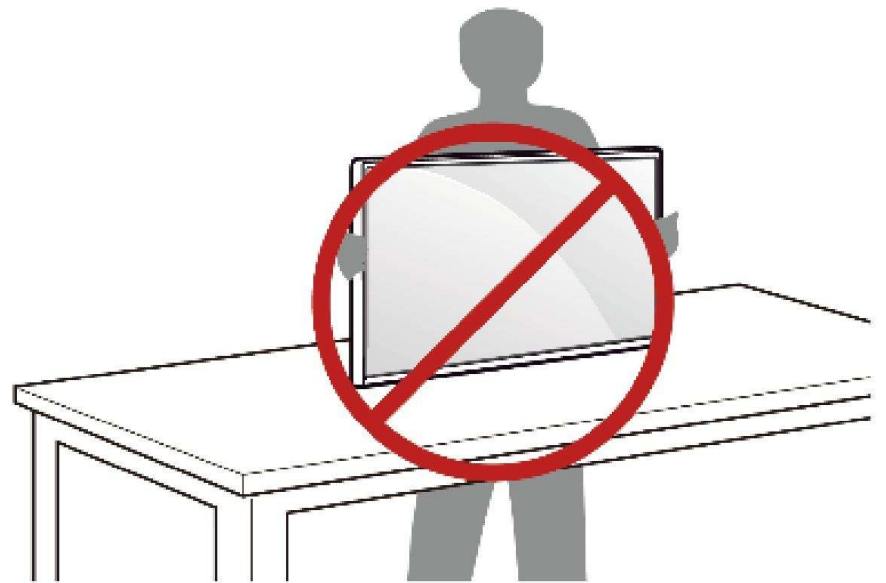
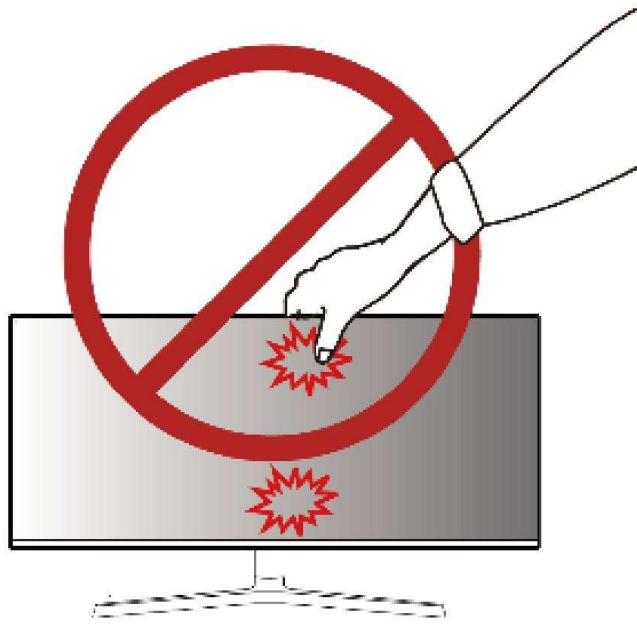
.Sujeta firmemente la parte inferior y lateral del marco del monitor.
No sujete el panel.



Al sostener el monitor, la pantalla debe estar orientada hacia afuera
de ti para evitar que se raye.

Al transportar el monitor, no lo exponga a:
Vibración excesiva o descarga del monitor.

Al mover el monitor, manténelo en posición vertical y nunca gire el monitor de lado o inclínelo hacia los lados.



Evite tocar la pantalla del monitor tanto como sea posible.

- Esto puede resultar en daños a la pantalla o algunos de los píxeles utilizados para crear imágenes.

Guía de mantenimiento

Nota: Por favor, lea y siga las instrucciones de seguridad.

antes de limpiar el monitor.



Advertencia: Antes de limpiar el monitor, desenchúfelo.

desconecte el cable de alimentación del monitor de la toma de corriente.

Para una mejor práctica, por favor siga las instrucciones en la lista de abajo cuando desempaque, limpie o

Operación del monitor:

Si encuentra polvo blanco al abrir el paquete del monitor, límpielo con un paño. El polvo blanco puede ser generado durante el transporte del monitor.

Al limpiar la pantalla antiestática, humedezca un paño limpio y suave.

limpiando la pantalla. Si es posible, use toallitas especiales para limpiar pantallas o

Disolventes adecuados para recubrimientos antiestáticos.

No utilice productos químicos fuertes ni papel o tela ásperos para limpiar el
pantalla, ya que pueden dañar o rayar la superficie de la pantalla.

Evite usar presión excesiva: No presione con fuerza la pantalla LCD

No se puede traducir el texto de entrada porque no hay texto de entrada.

objetos en la parte superior de la pantalla que pueden
ejercer presión sobre él.

Evite la luz solar directa: evite que la luz solar directa incida sobre la pantalla, ya
que puede oscurecerla o "quemarla". Si la pantalla está expuesta a la luz solar directa,

luz solar, reposicionar el monitor o usar

un parasol.

Desactivar la pantalla cuando esté lejos: Si no necesita usar la pantalla por un tiempo,
apáguela. Esto no solo prolonga la vida útil de la pantalla, sino que también

ahorra energía.

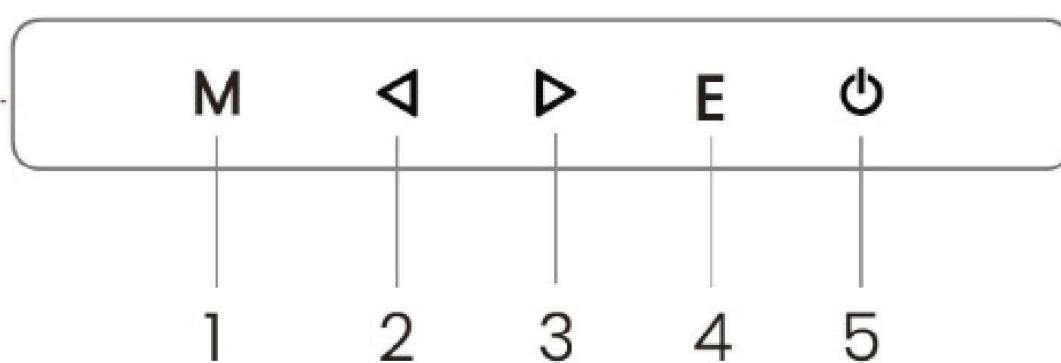
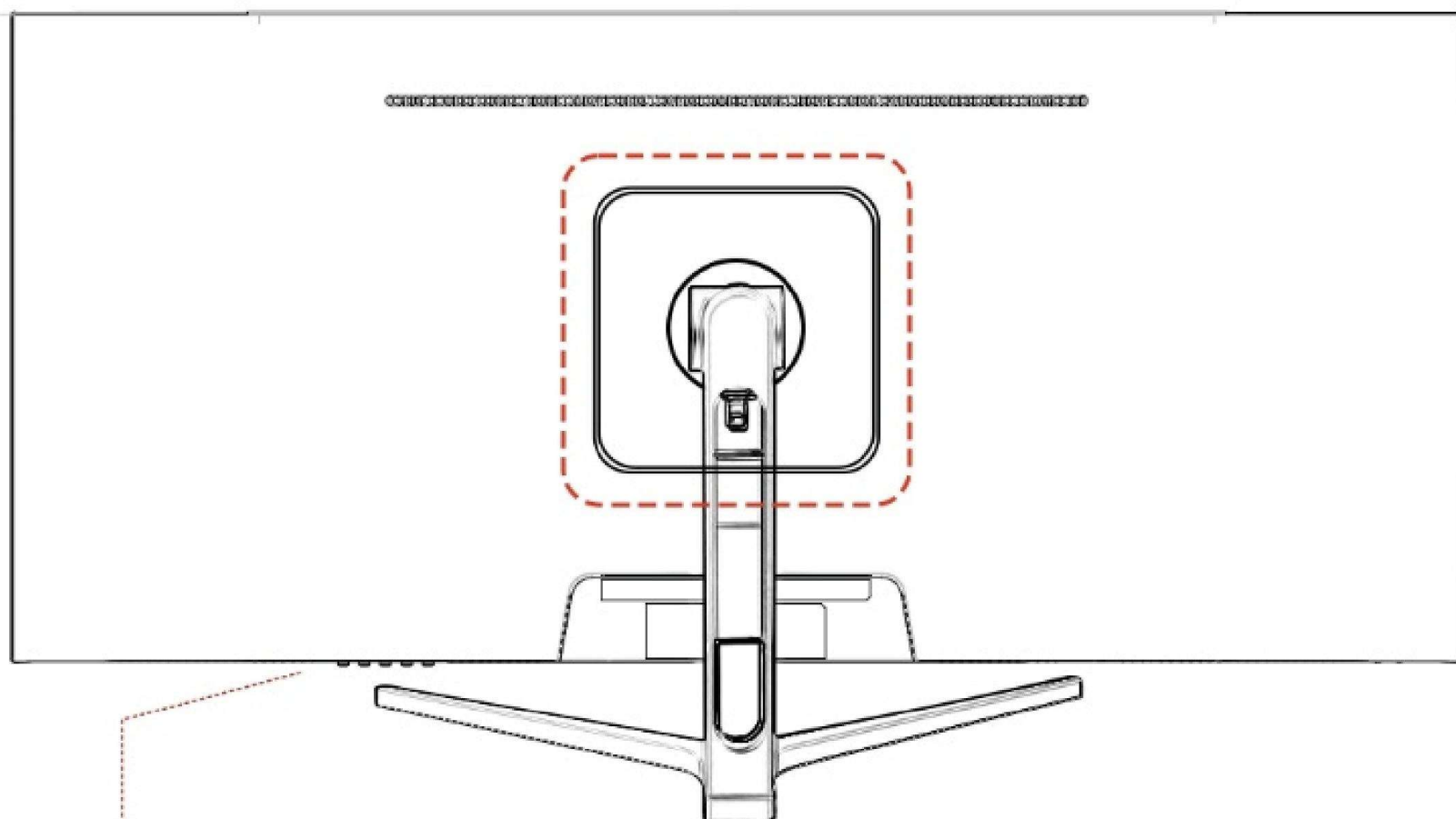
Evite el uso prolongado: El uso prolongado de monitores LCD puede

El uso continuo del monitor durante más de unas horas puede provocar el fenómeno de "quemado".
Por lo tanto, debe intentar evitar el uso continuo del monitor durante más de unas horas.

necesitas usar el monitor durante mucho tiempo, puedes mostrar
imágenes en movimiento en la pantalla o usar un protector de pantalla

OPERACIÓN E INSTALACIÓN

* OPERACIÓN DEL MENÚ DE CONTROL



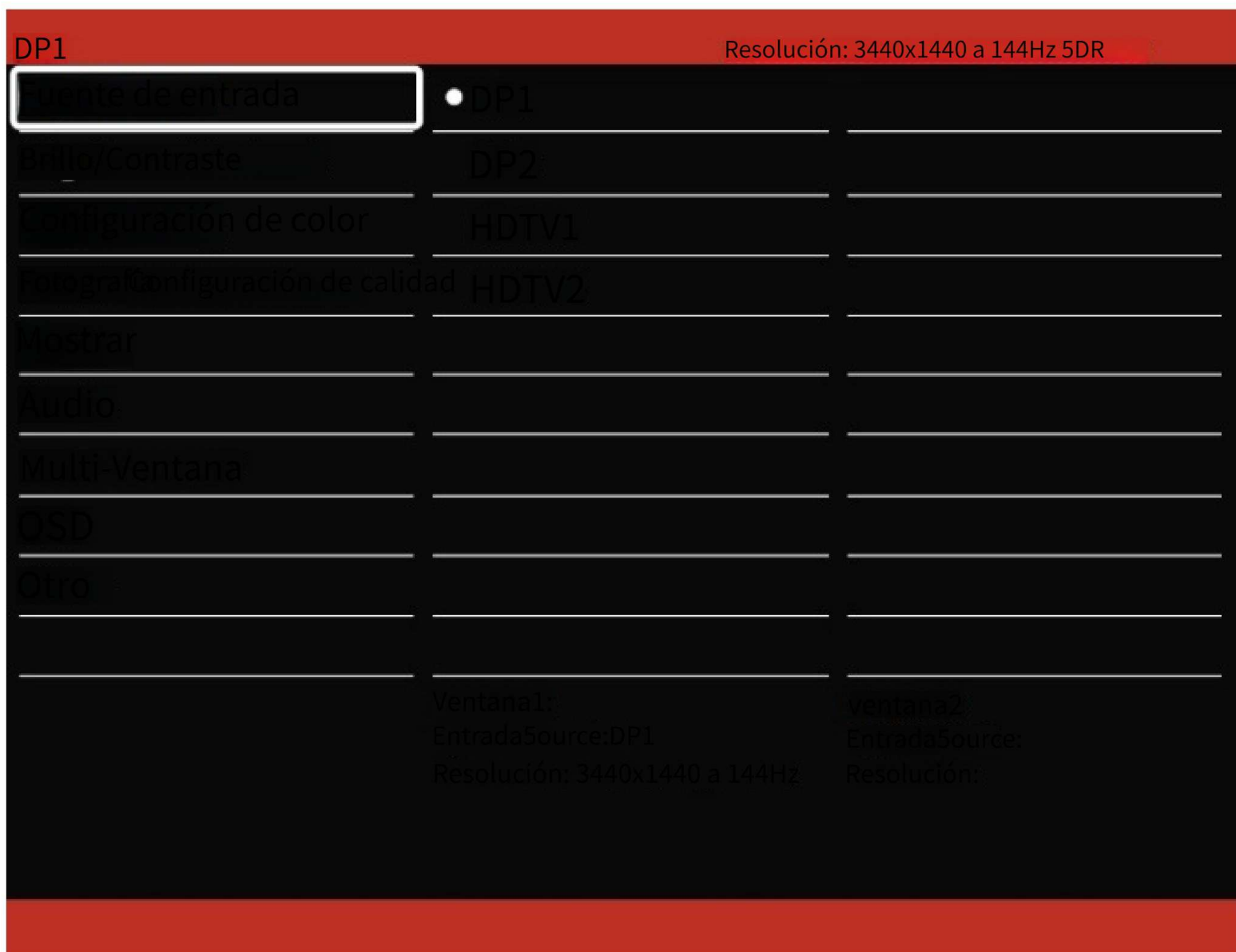
- M** MENÚ/SELECCIONAR
- ◀** ARRIBA/MODELO SITUACIONAL
- ▶** ABAJO/BRILLO+
- E** SALIR / FUENTE
- ⏻** APAGADO/ENCENDIDO EN ESPERA

EN PANTALLA (OSD)

*Las funciones anteriores pueden ajustarse debido a diferentes modelos o actualizaciones de la versión del software. Para obtener más detalles,

* El monitor tiene una frecuencia de actualización predeterminada de 60 Hz. Para lograr una frecuencia de actualización más alta, vaya a

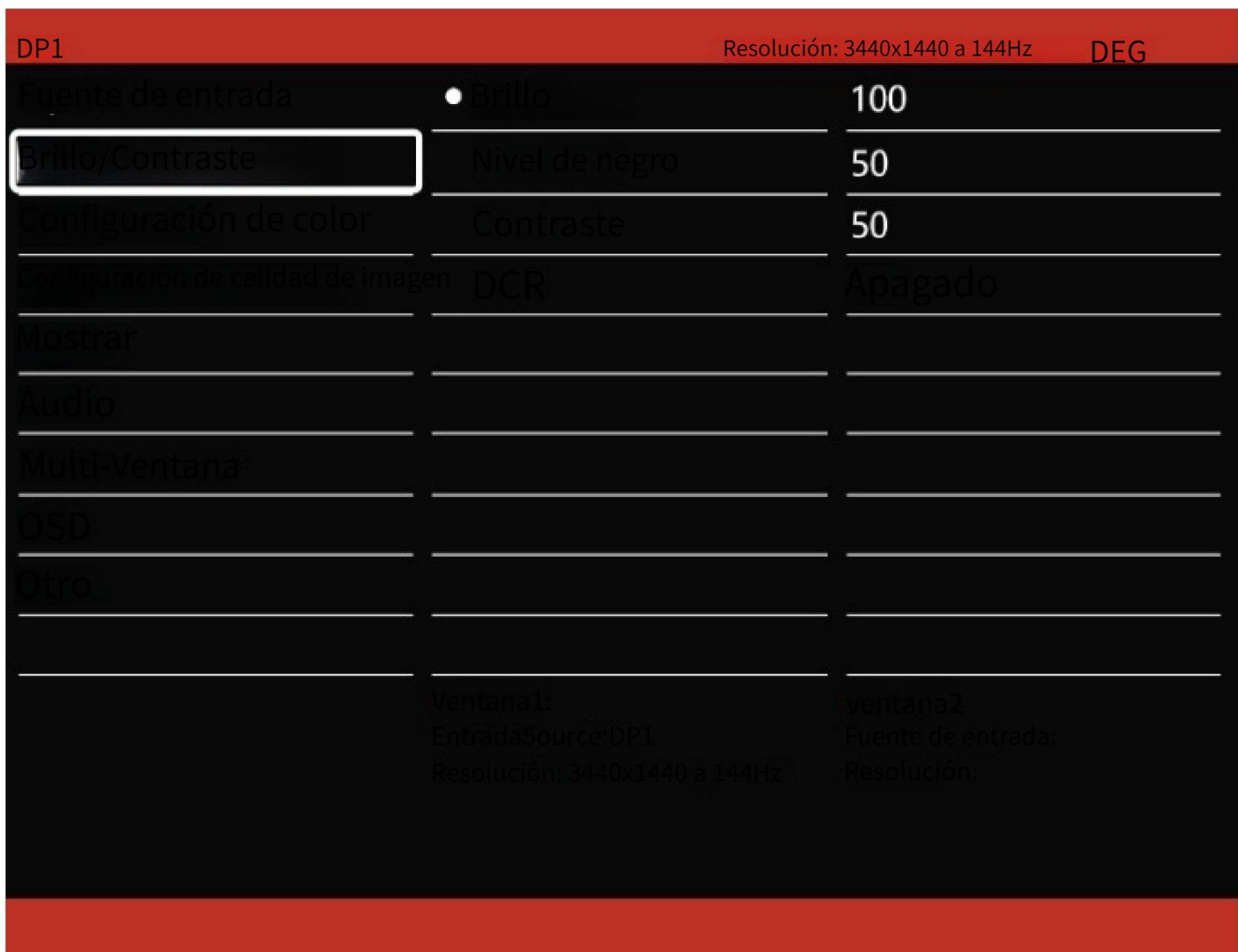
conecta el dispositivo para modificar



* Fuente de entrada:

Puedes cambiar la señal de salida de video aquí.

EN PANTALLA (OSD)



* Brillo/contraste: Aquí, puedes ajustar el brillo y contraste de la pantalla.

EN PANTALLA (OSD)

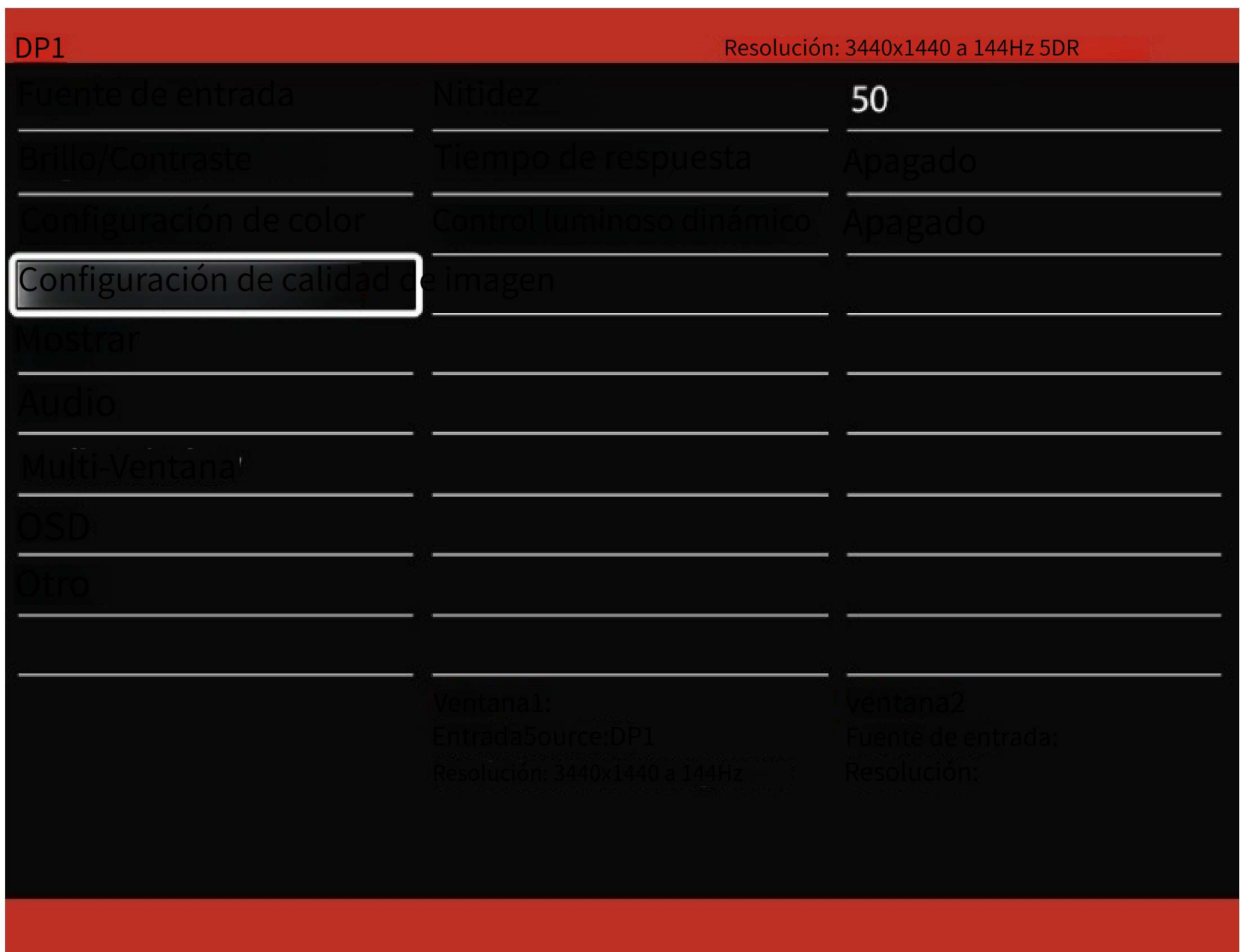
DP1	Resolución: 3440x1440 a 144Hz	DEG
Fuente de entrada	Gama	2.2
Volumen/Contraste	Modo de imagen	Película
Configuración de color	Temperatura del color	Cálido
Configuración de calidad de imagen	Luz azul baja	0
Mostrar	Matiz	50
Audio	Saturación	60
Multi-Ventana1	Tono de seis ejes	
OSD	Saturación de seis ejes	
Otro		
	Ventana1: Fuente de entrada: DP1 Resolución: 3440x1440 a 144Hz	ventana2 Fuente de entrada: Resolución:

* Configuración de color: Aquí, puedes ajustar el color.

Temperatura y modo de gama de la pantalla. Y puede ajustar el valor gamma y el modo de luz azul baja para los ojos.

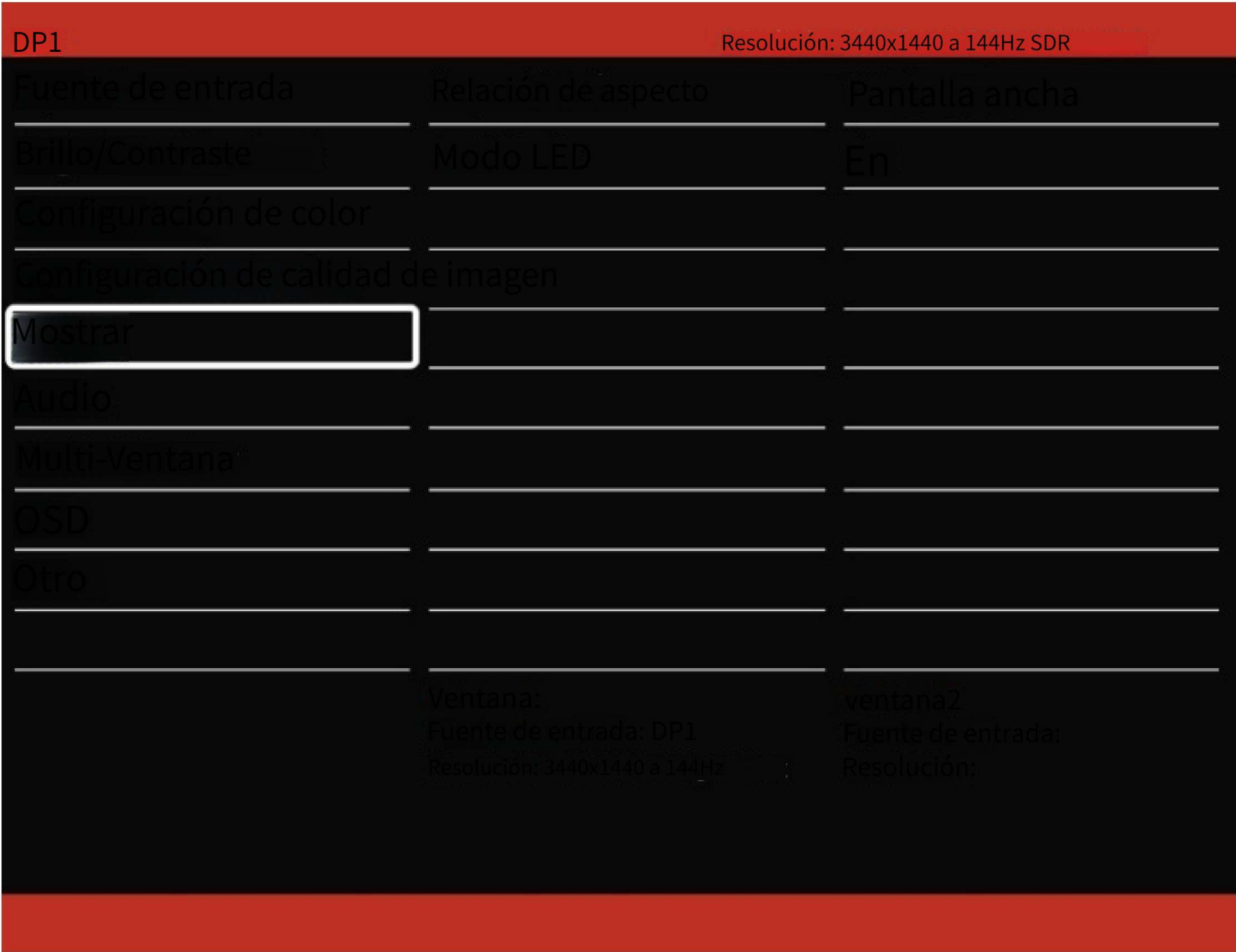
proteccion.

EN PANTALLA (OSD)



* Configuración de calidad de imagen: aquí puede activar aceleración, respuesta y ajuste de claridad.

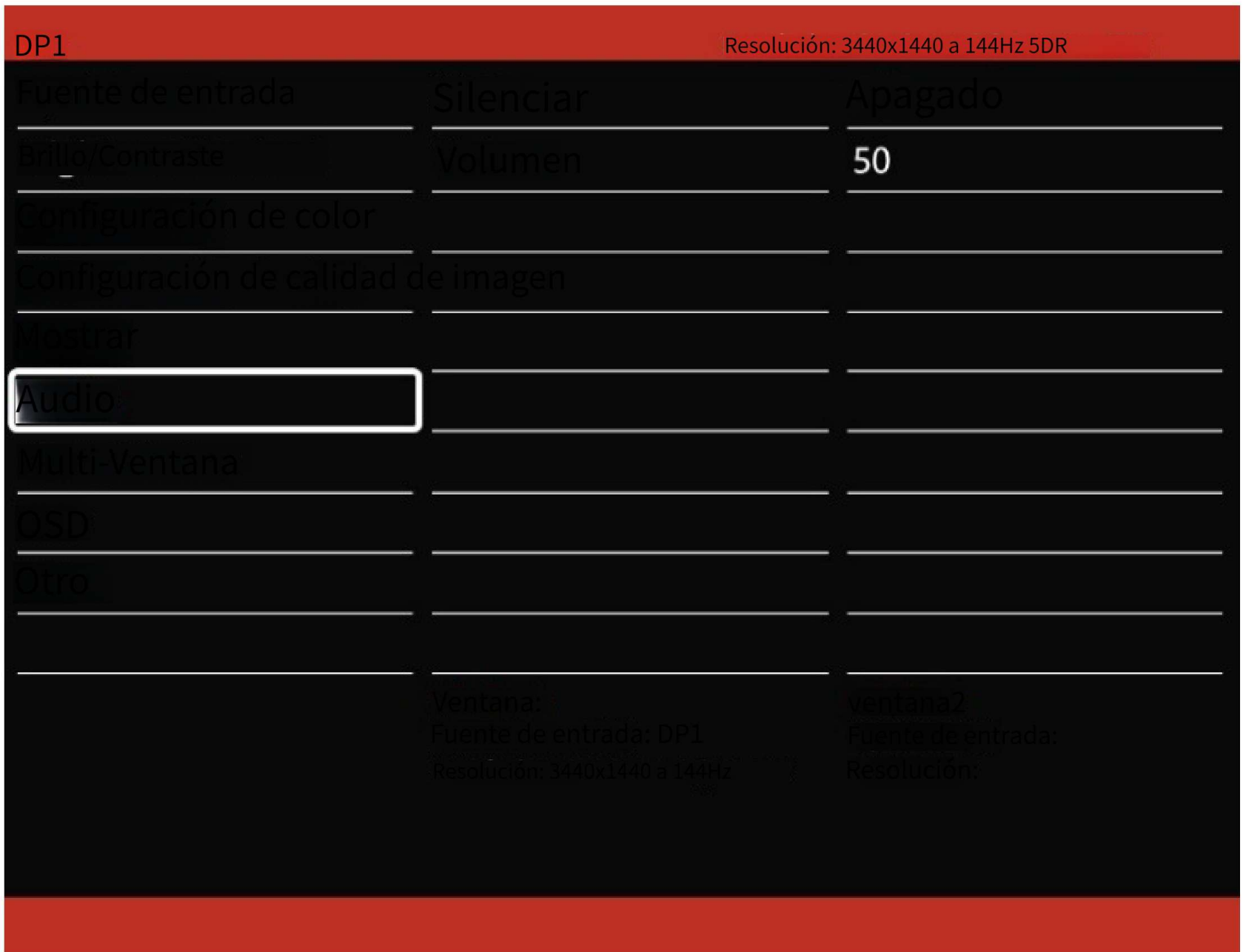
EN PANTALLA (OSD)



*Puede ajustar la relación de aspecto y RGB de la pantalla.

Iluminación detrás del monitor aquí.

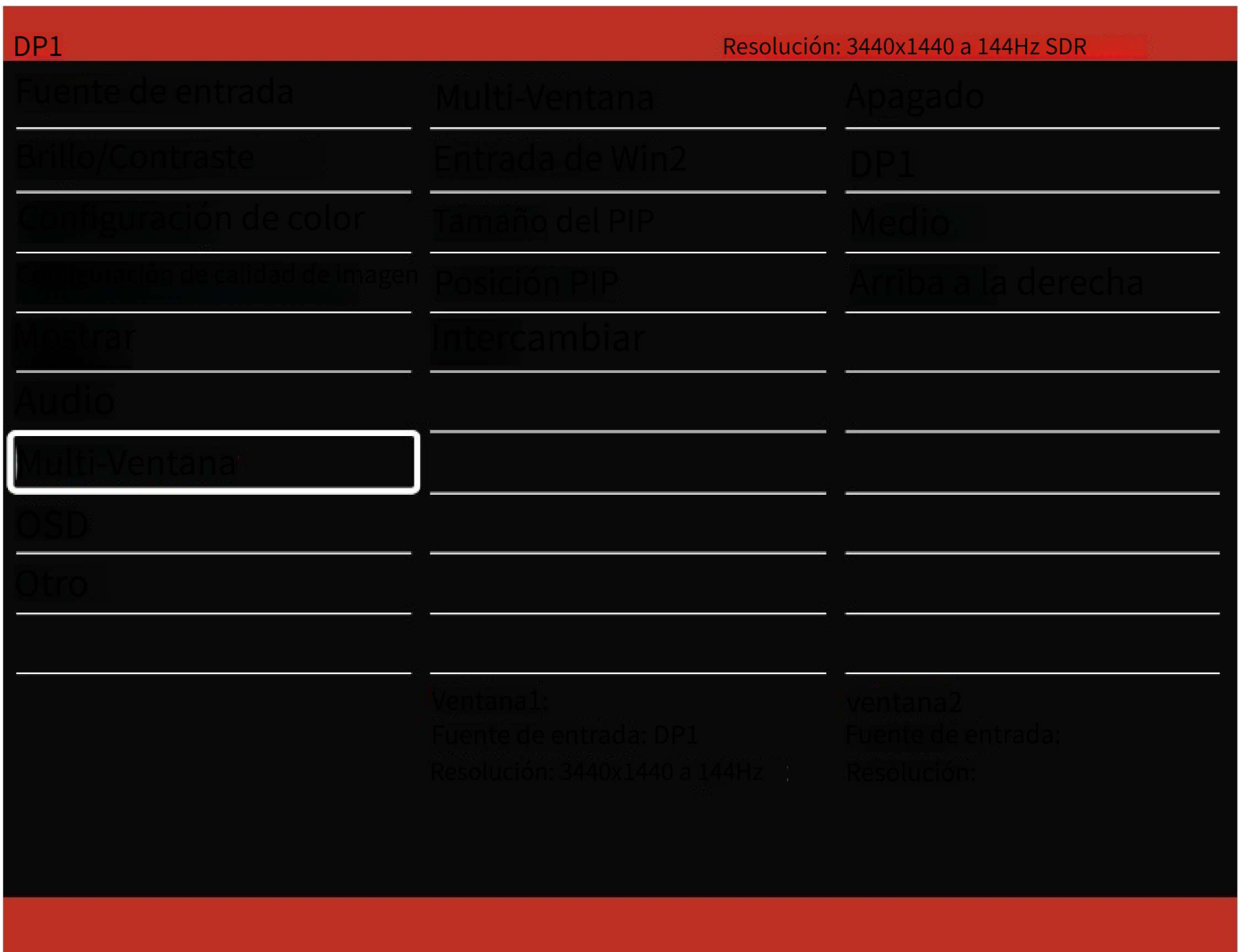
EN PANTALLA (OSD)



*Audio: Puede ajustar el volumen y la función de silencio de

La interfaz de audio aquí.

EN PANTALLA (OSD)



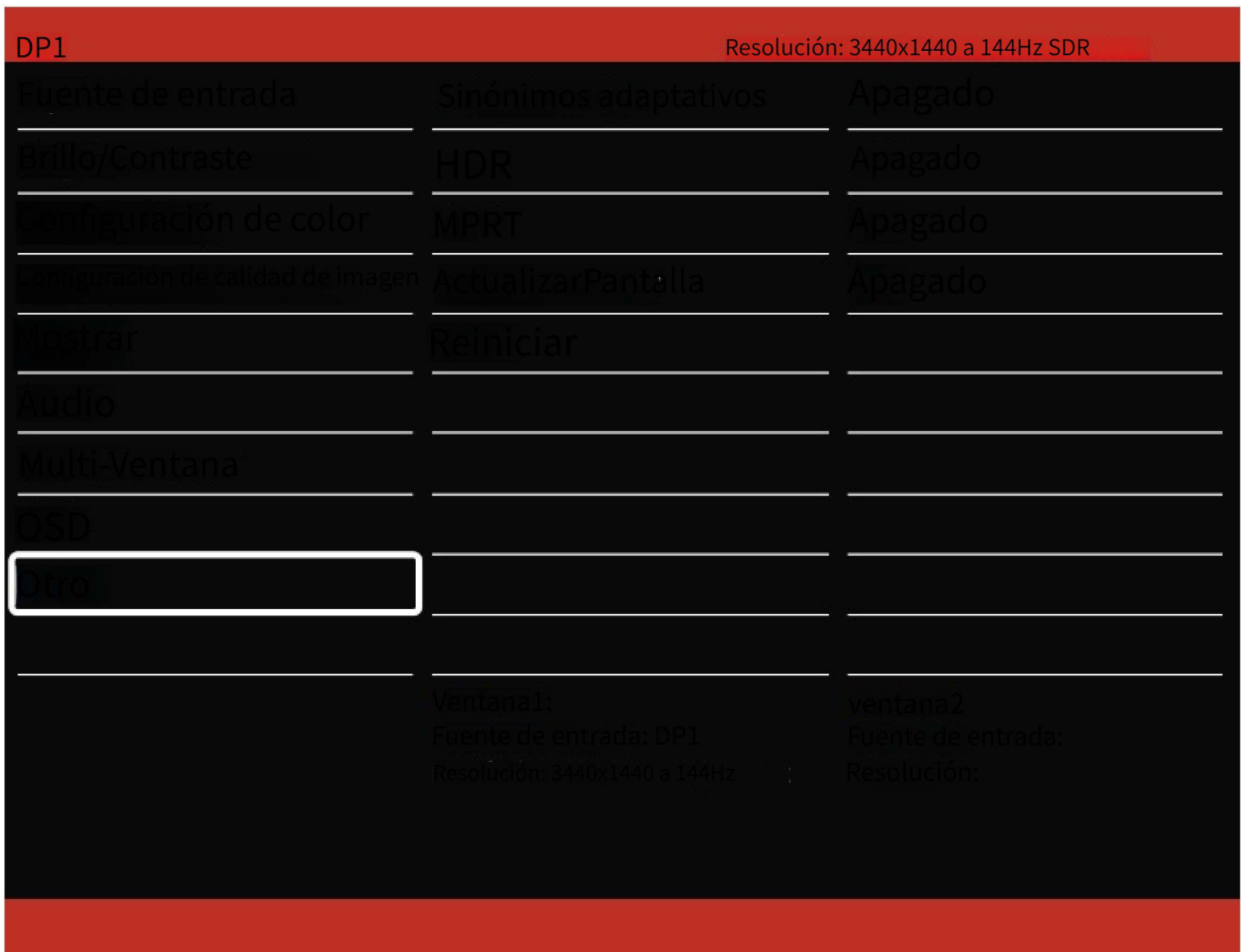
* **MuchoVentana:** Aquí, puedes configurar la multiventana. Modo PIP/PBP. Las fuentes de entrada y las condiciones de la pantalla pueden ser ajustado.

EN PANTALLA (OSD)

DP1		Resolución: 3440x1440 a 144Hz	DEG
Fuente de entrada	Idioma	Inglés	
Brillo/Contraste	OSDH-Positivo	50	
Configuración de color	Posición OSDV	50	
Configuración de calidad	OSD Transparencia	0	
Mostrar	Tiempo de espera de OSD	10	
Audio	Rotación OSD	Normal	
Multi-Ventana			
OSD			
Otro			
	Ventana1: Fuente de entrada: DP1 Resolución: 3440x1440 a 144Hz	ventana2 Fuente de entrada: Resolución:	

*OSD: Aquí, puede ajustar el idioma y la visualización de OSDmenús.

EN PANTALLA (OSD)

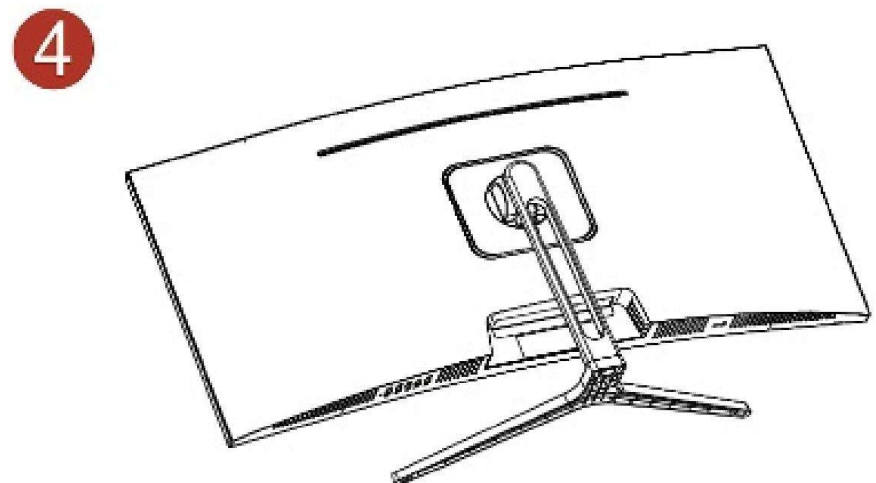
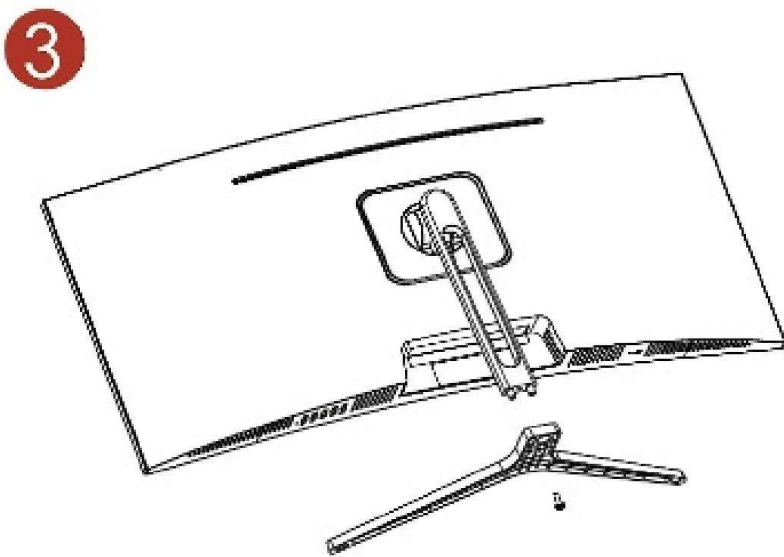
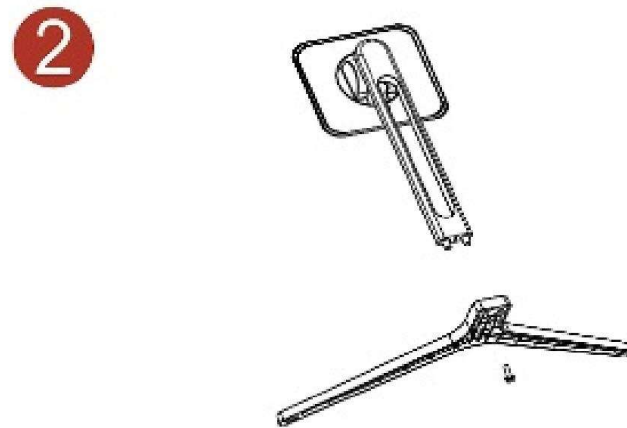
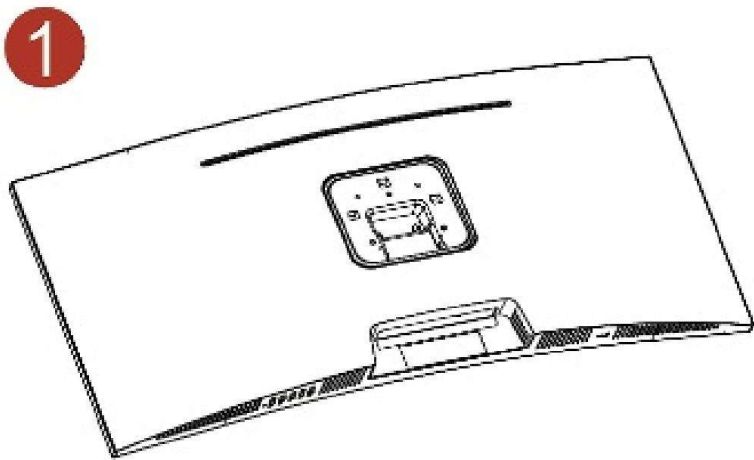


*Aquí, puedes configurar funciones como Freesync y HDR. Y restablece la configuración de todo el menú.

Sincronización adaptable: Esto puede adaptarse automáticamente a Freesync y G-sync. Después de abrir, puede eliminar

Desgarro de pantalla y retraso causados por altas tasas de refresco.

INSTALANDO EL : MONITOR



* TENGA EN CUENTA

Las ilustraciones de este documento representan procedimientos típicos, por lo que pueden verse diferentes del producto real.

.Coloque el producto boca abajo sobre el poliestireno (cojín). Si no hay poliestireno disponible, utilice una alfombra gruesa para sentarse.

.La aplicación de fuerza excesiva al apretar los tornillos puede dañar el monitor. Los daños causados de esta manera no estarán cubiertos por la garantía del producto.

No transporte el monitor boca abajo sujetándolo únicamente por la base. Esto podría provocar que el monitor se caiga del soporte y provocar lesiones personales.

Al levantar o mover el monitor, no toque el monitor.

Pantalla. La fuerza aplicada a la pantalla del monitor puede provocar daños en la misma.

HACER CONEXIONES

* Seleccione un método de conexión adecuado para su PC

-Las piezas de conexión pueden variar en diferentes productos.

-Los puertos proporcionados pueden variar según el producto.

:Si es una computadora de escritorio, el cable debe estar conectado a la interfaz de la tarjeta gráfica, no la interfaz de la placa base.

Monitor de alta frecuencia de actualización para lograr una imagen perfecta

La velocidad requiere el uso de soporte de cable DP.

Conexión mediante un cable DP

DPIN



Conexión mediante el cable HDTV

ENTRADA HDTV



- Un cable DP más corto de menos de 1.5 m de longitud es

Se recomienda utilizar un cable de no más de 1,5 m.

afectar la calidad de la imagen.

Conexión a auriculares



PREGUNTAS FRECUENTES

:Si hay un problema con el monitor, puedes consultar los siguientes métodos de detección

Si experimenta síntomas que no se enumeran aquí, o si los que tiene empeoran, consulte a su médico.

no desaparezca después de que lo siga instrucciones, por favor, deje de usar el monitor y desconéctelo desde la toma de corriente

* No se muestra nada en la pantalla.

¿Está enchufado el cable de alimentación del monitor?

.Comprueba si el cable de alimentación está correctamente enchufado en el Toma de corriente.

* ¿Está encendido el LED de encendido?

.Comprueba la conexión del cable de alimentación y pulsa el botón de encendido. botón.

.Intenta cambiar un cable de alimentación con el mismo especificaciones(cable de alimentación

Especificaciones para 12V 5A 5.5mmX2.1mm)

* es el poder Parpadeo de LED?

.Si el monitor está en modo de suspensión, mueva el mouse o presiona cualquier tecla

en el teclado, para encender la pantalla.

Compruebe si la computadora está encendida.

* ¿Está FUERA DE RANGO? mensaje está siendo

¿Mostrado?

.Esto ocurre cuando las señales transferidas desde la Pc (tarjeta gráfica) están fuera de la horizontal o vertical.

rango de frecuencia del monitor. Por favor, consulte el producto.

Sección de especificaciones de este manual para configurar el frecuencia.

* ¿Se muestra el mensaje Sin señal?

Comprueba si el monitor está conectado al puerto correcto.

puerto (tenga en cuenta que es la interfaz de la tarjeta gráfica, no el puerto de red)

interfaz de la placa base), compruebe si el

El cable de conexión del dispositivo está insertado firmemente y se utiliza.

botones para ajustar al puerto de recepción de señal correcto.

¿Cómo ajusto el ángulo de mi monitor?

Este tipo de monitor admite el ajuste hacia arriba y hacia abajo.

de -5 o a 15 o

1. Sujeta la base del monitor.

2. Luego, usa la otra mano para levantar suavemente la parte inferior del monitor. Ten cuidado de no presionar

la pantalla. Solo necesitas ajustar el monitor al

ángulo que necesitas.

¿Cómo activo la mira?

Este producto está construido con múltiples estilos de retículas.

que puedes activar haciendo clic

el segundo botón en la parte posterior de la pantalla y disr

¿Por qué la frecuencia de actualización del monitor no?
alcanzar alta frecuencia de actualización

Púlsalo para perderlo presionando el botón de menú.

1. Primero, debes determinar si el monitor que compras puede alcanzar una alta frecuencia de actualización, como 144Hz o 165Hz.

etc.

2. Verifique si su tarjeta gráfica tiene una interfaz DP

3. Utilice el cable correcto para lograr una alta frecuencia de actualización.

Claro, necesitas usar el cable DP.

4. si el cable de señal está conectado al monitor

Disculpa, no en la interfaz de la placa base.

¿Por qué estoy conectado a los auriculares en el?

Lo siento, no puedo traducir el texto en español a la entrada. No tengo acceso a la información después de noviembre de 2023, y no puedo acceder a la información en español.

1. Verifique si el monitor está seleccionado como la reproducción de sonido.

dispositivo en el dispositivo conectado

2. Comprueba si la configuración de silencio "Silenciar" está activada en el

menú del monitor

TABLE DES MATIÈRES DE L'OE

INSTRUCTIONS AVANT UTILISATION.....	3
CARACTÉRISTIQUES DU PRODUIT.....	3
DETTES STANDARD.....	3
PRÉCAUTIONS IMPORTANTES	4
CORRECT POSTURE UTILISER LE PRODUIT.....	7
Guide d'entretien	9
FONCTIONNEMENT ET INSTALLATION.....	11
FONCTIONNEMENT DU MENU DE COMMANDE.....	11
AFFICHAGE À L'ÉCRAN (OSD).....	12
INSTALLATION DU MONITEUR.....	21
CRÉER DES LIENS :	22
FAQ.....	23

• INSTRUCTIONS DE PRÉ-UTILISATION

Merci d'avoir acheté ce produit

Veillez le lire attentivement et utiliser le livre correctement avant utiliser.

De plus, le manuel d'utilisation du produit et le description du site Web du produit

Politique de garantie. Si vous rencontrez un problème avec votre produit, veuillez consulter la politique de garantie et contacter notre service après-

e-mail de vente

E-mail : HUSSOA@outlook.com

CARACTÉRISTIQUES DU PRODUIT

Écran de 34 pouces

Prend en charge une résolution allant jusqu'à 3440*1440P avec un taux de rafraîchissement de 165 Hz

VESA 100 mm * 100 mm

STANDARD Créances

En plus du moniteur lui-même, veuillez vous assurer que tous les éléments suivants soient inclus

Adaptateur Câble DP Col de chemise

Col de chemise Socle d'affichage Manuels de produits



Le cordon d'alimentation fourni est destiné à être utilisé uniquement avec ce produit. Ne l'utilisez pas pour d'autres appareils.

Si vous n'utilisez pas le cordon d'alimentation fourni avec ce produit, Veuillez utiliser un cordon d'alimentation conforme aux normes de sécurité de votre pays.

- **PRÉCAUTIONS IMPORTANTES**

Avant d'utiliser le produit, veuillez lire attentivement les précautions suivantes et assurez-vous de les respecter.

*** Si des anomalies surviennent**

Si vous voyez de la fumée, sentez une odeur étrange ou entendez un bruit, éteignez le

Coupez immédiatement l'interrupteur d'alimentation, débranchez-le de la prise de courant et contactez votre revendeur ou le centre après-vente HUSSOA pour

service. Une utilisation directe peut provoquer un incendie et un choc électrique.

*** Ne pas retirer ou modifier les armoires**

Le cabinet n'est pas démantelé ni modifié avec un niveau supérieur pièces sous tension à l'intérieur, démontage de l'armoire ou modification cela peut entraîner un incendie ou un choc électrique.

*** Ne placez pas de vases ou de tasses à proximité des moniteurs**

Ne pas placer de contenants contenant de l'eau ou d'autres liquides ou résoudre les problèmes près du moniteur. Les déversements peuvent causer incendie, choc électrique ou dysfonctionnement. Si de l'eau ou autre conditions sont rencontrées, éteignez immédiatement le interrupteur d'alimentation et débranchez l'alimentation de la prise électrique.

*** Ne le placez pas dans un endroit instable**

Ne placez pas l'appareil sur une surface instable, comme un arrêt

table stable ou sur une inclinaison. Elle pourrait tomber ou basculer et provoquer une blessure. Placez le moniteur sur une surface plane, suffisamment solide et

Surface stable. Si le moniteur est tombé ou si le boîtier est endommagé, éteignez immédiatement l'interrupteur d'alimentation et

débranchez-le de la prise, ce qui peut provoquer un incendie ou

Choc électrique si le moniteur est utilisé tel quel.

*** Ne pas utiliser dans des endroits où de l'eau est présente**

Veillez ne pas l'utiliser dans la salle de bain ou dans d'autres endroits où l'eau ou l'humidité pénètre. Cela peut provoquer un incendie et

choc électrique

*** Reliez le fil de terre du cordon d'alimentation à la terre**

Pour des raisons de sécurité, assurez-vous que le fil de terre est bien mis à la terre. Établissez la connexion à la terre avant de brancher la fiche d'alimentation dans la prise de courant. De même, lorsque vous retirez la mise à la terre, retirez la mise à la terre

après avoir débranché la fiche d'alimentation de la prise de

courant. Si la séquence est incorrecte, cela peut entraîner un choc électrique.

*** N'endommagez pas le cordon d'alimentation**

Ne placez pas d'objets lourds sur le cordon d'alimentation ou ne le pressez pas

sous le moniteur. De plus, ne pliez pas, ne tirez pas et ne chauffez pas de force. Le cordon est endommagé, ce qui pourrait provoquer un incendie ou

choc électrique.

*** Choisissez où le placer**

Ne le placez pas en dessous. Cela pourrait provoquer un incendie, une décharge électrique choc ou dysfonctionnement.

x Endroits où il y a beaucoup d'humidité ou de poussière

x Endroits où les fumées ou la chaleur brillent, comme par la cuisson tables ou

x Lieux où la lumière directe du soleil ou l'éclairage brille directement sur l'écran

Près des appareils de chauffage

*** Tenez la fiche et retirez-la.**

Ne tirez pas sur le cordon d'alimentation lorsque vous débranchez l'appareil. adaptateur, cordon d'alimentation ou cordon de signal. Rayures sur le cordon peut provoquer un incendie ou un choc électrique. Assurez-vous de débrancher l'appareil

Branchez en saisissant la partie.

*** Ne touchez pas la fiche d'alimentation avec les mains mouillées**

Ne rebranchez pas l'alimentation électrique avec les mains mouillées. Peut provoquer un choc électrique

*** Débranchez les cordons de connexion externes lors du déplacement.**

Éteignez l'interrupteur d'alimentation, assurez-vous que la fiche d'alimentation est débranchée de la prise de courant et que les connexions telles que les câbles de signal sont débranchées.

et déplacé. Le feu ou un choc électrique peuvent en résulter.

POSTURE CORRECTE POUR UTILISER LE PRODUIT

* Prenez soin de vos yeux

La position de l'écran doit être légèrement plus basse que la hauteur des yeux, à environ 40 à 60 cm de distance.

les yeux avant qu'il ne soit facile de voir et ne ressente pas de fatigue. Si le

La pièce utilisée est trop sombre, les yeux vont

être fatigué. Veuillez l'utiliser à

luminosité appropriée. De plus,

Regarder l'écran pendant longtemps provoque de la fatigue oculaire, c'est

Il est recommandé de se reposer environ 10

minutes chaque heure



POUR ÉVITER LE BRÛLAGE DE L'ÉCRAN LCD

Afficher le même écran pendant une longue période peut brûlure d'écran (image fantôme)

Pour éviter la brûlure de l'écran LCD :

Utilisez des économiseurs d'écran avec des images animées ou des écrans entièrement blancs.

Modifiez régulièrement l'arrière-plan de l'écran du bureau. Réglez la luminosité de l'écran LCD à un niveau atténué.

Éteignez le moniteur LCD lorsque vous n'utilisez pas l'ordinateur.

Si l'écran LCD est grillé :

Éteignez le moniteur LCD pendant plusieurs heures.

Configurez l'économiseur d'écran en noir ou blanc et laissez-le

l'économiseur d'écran allumé pendant quelques heures.

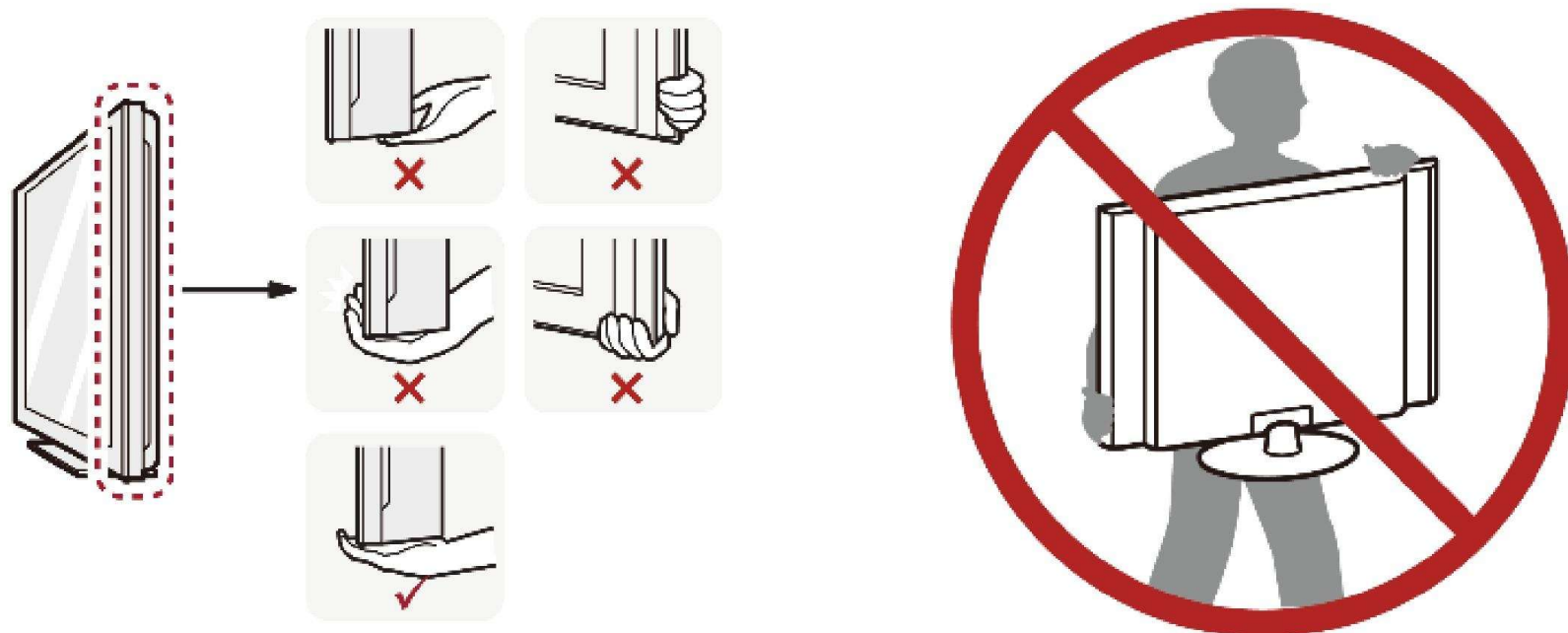
DÉMÉNAGEMENT ET LISTAGE DU MONITEUR

Lors du déplacement ou du levage de l'écran, suivez ces instructions pour éviter que l'écran ne soit rayé ou endommagés et pour assurer un transport sûr, quel que soit de sa forme ou de sa taille.

Placez le moniteur dans sa boîte d'origine ou son matériau d'emballage avant de tenter de le déplacer.

Avant de déplacer ou de soulever le moniteur, débranchez le cordon d'alimentation et tous les autres câbles.

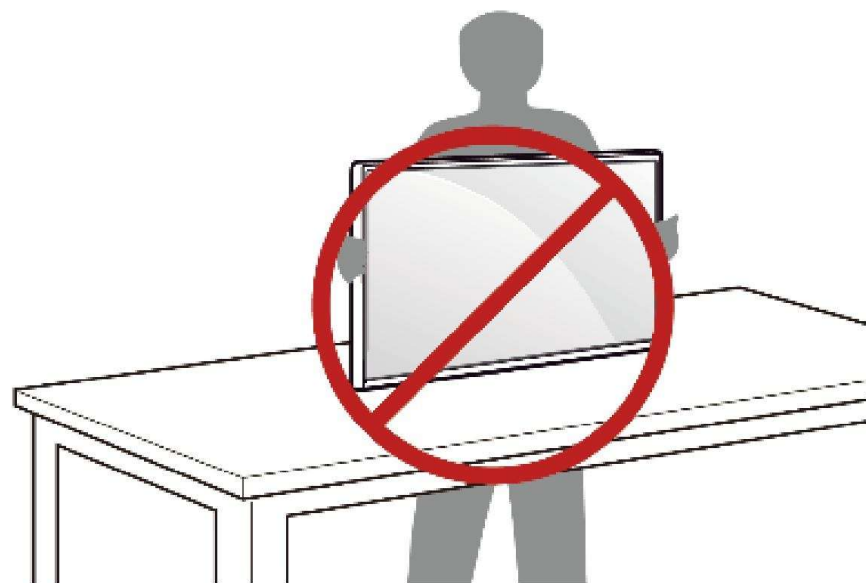
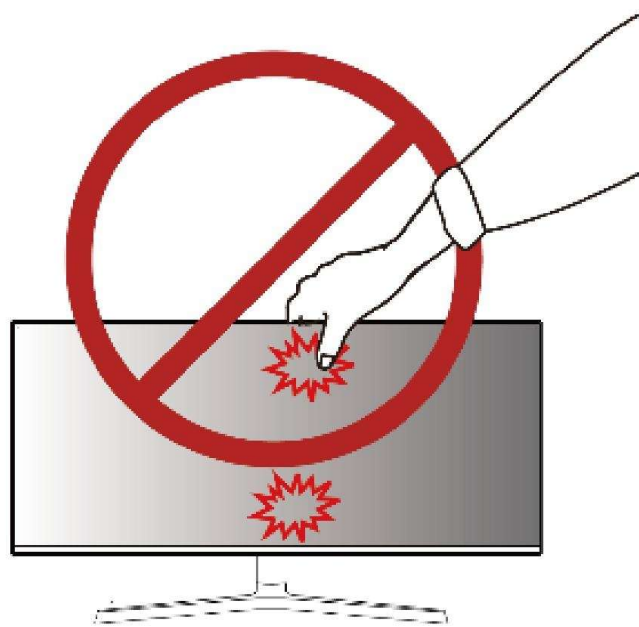
Maintenez fermement le bas et les côtés du cadre de l'écran. Ne tenez pas le panneau lui-même.



Lorsque vous tenez l'écran, l'écran doit être orienté vers l'extérieur de votre part pour éviter qu'il ne soit rayé.

Lors du transport du moniteur, ne l'exposez pas
Surveiller les chocs ou les vibrations excessives.

Lors du déplacement du moniteur, maintenez-le à la verticale et ne le faites jamais tourner sur le côté ou inclinez-le latéralement.



Évitez autant que possible de toucher l' écran du moniteur.

- Cela peut endommager l'écran ou certains des pixels utilisés pour créer des images.

Guide d'entretien



Remarque : Veuillez lire et suivre les instructions de sécurité avant de nettoyer l'écran.

Avertissement : Avant de nettoyer l' écran, débranchez-le. Débranchez le cordon d'alimentation du moniteur de la prise de courant.

Pour une meilleure pratique, veuillez suivre les instructions de la liste ci-dessous lors du déballage, du nettoyage ou

fonctionnement du moniteur :

Si vous trouvez de la poudre blanche lorsque vous ouvrez l'emballage du moniteur, veuillez l'essuyer avec un chiffon. La poudre blanche peut être générée pendant le transport du moniteur

Lors du nettoyage de l'écran antistatique, humidifiez un chiffon propre et doux légèrement dans l'eau. Si possible, utilisez des lingettes spéciales pour nettoyer les écrans ou solvants adaptés aux revêtements antistatiques

N'utilisez pas de produits chimiques agressifs, de papier ou de tissu rugueux pour nettoyer le écran, car ceux-ci peuvent endommager ou rayer la surface de l'écran.

Évitez d'utiliser une pression excessive : Ne pas appuyer fortement sur l'écran LCD Écran car cela pourrait l'endommager. De plus, ne placez pas d'objets lourds objets en haut de l'écran qui peuvent appuyez dessus.

Évitez la lumière directe du soleil : Évitez que la lumière directe du soleil ne frappe l'écran, car cela pourrait l'assombrir ou le "marquer". Si l'écran est en plein lumière du soleil, repositionnez le moniteur ou utilisez

une visière solaire

Désactiver l'affichage en cas d'absence : Si vous n'avez pas besoin d'utiliser l'affichage pendant un certain temps, désactivez-le. Cela permet non seulement de prolonger la durée de vie de l'écran, mais aussi

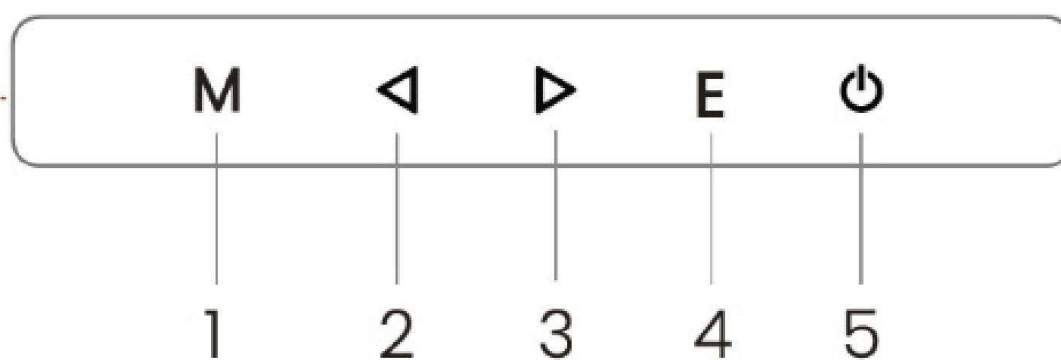
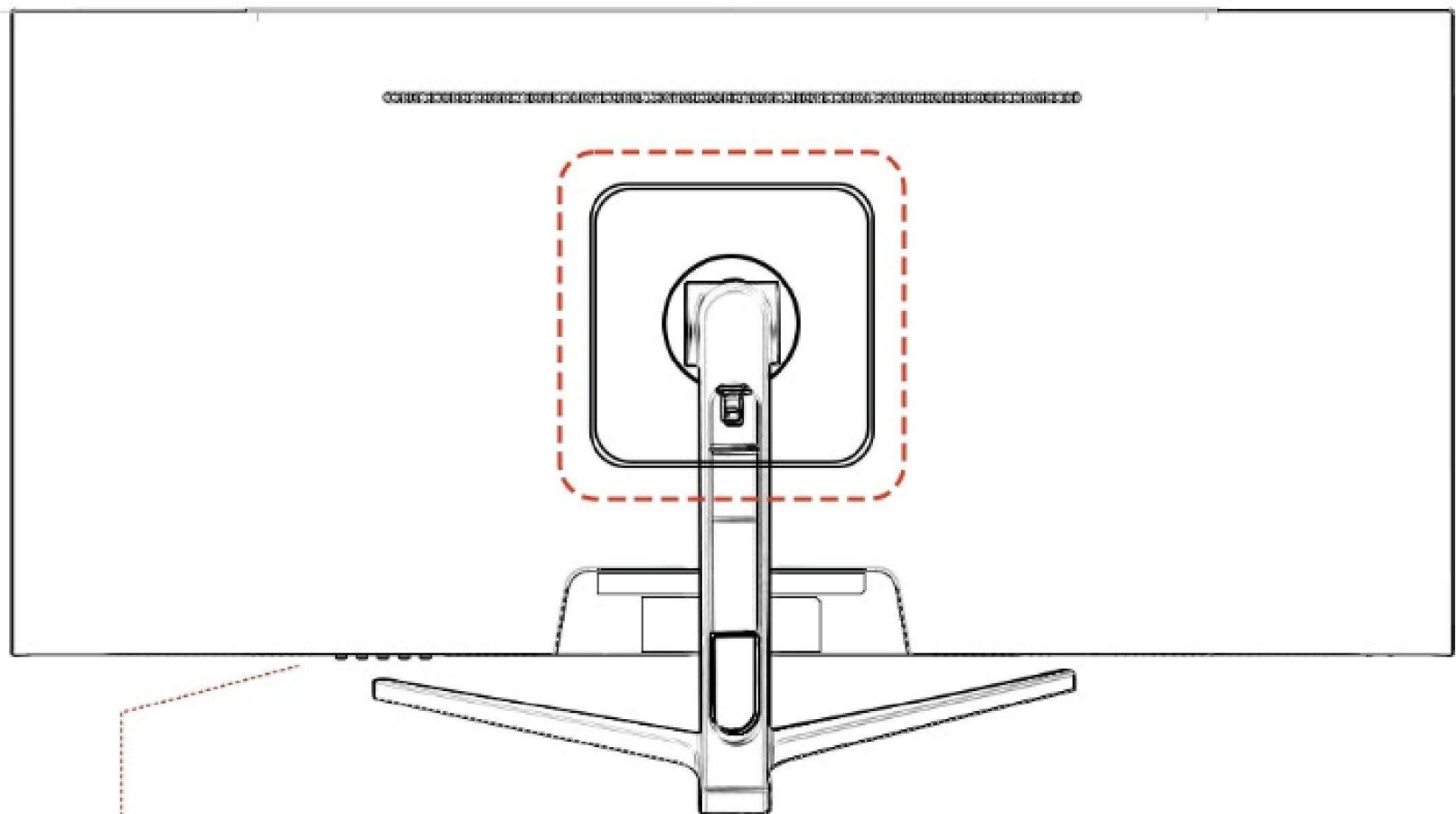
économise de l'énergie.

Évitez une utilisation prolongée : Une utilisation prolongée des moniteurs LCD peut provoquer un phénomène de « brûlure ». Par conséquent, vous devez éviter d'utiliser le moniteur en continu pendant plus de quelques heures. Si

vous devez utiliser le moniteur pendant une longue période, vous pouvez afficher images animées sur l'écran ou utiliser un économiseur d'écran

FONCTIONNEMENT ET INSTALLATION

* FONCTIONNEMENT DU MENU DE COMMANDE



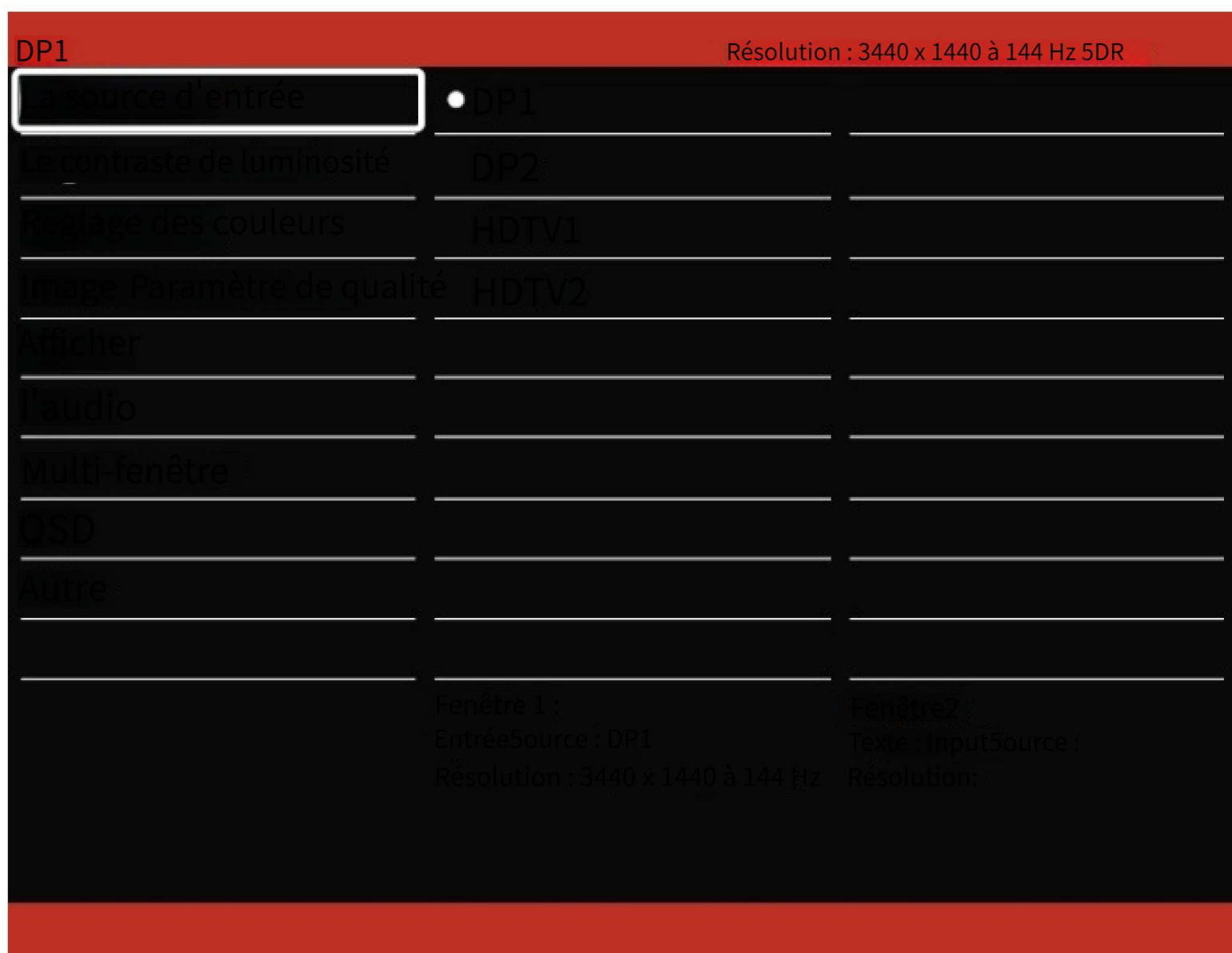
- M** MENU/SÉLECTIONNER
- ◀** HAUT/MODÈLE SITUATIONNEL
- ▶** BAS/LUMINOSITÉ+
- E** SORTIE / SOURCE
- ⏻** VEILLE OFF/ON

AFFICHAGE À L'ÉCRAN (OSD)

Les fonctions ci-dessus peuvent être ajustées en fonction des différents modèles ou des mises à niveau de version logicielle. Pour plus de détails,

* Moniteur par défaut 60Hz, pour obtenir un pinceau haute résolution, veuillez aller à

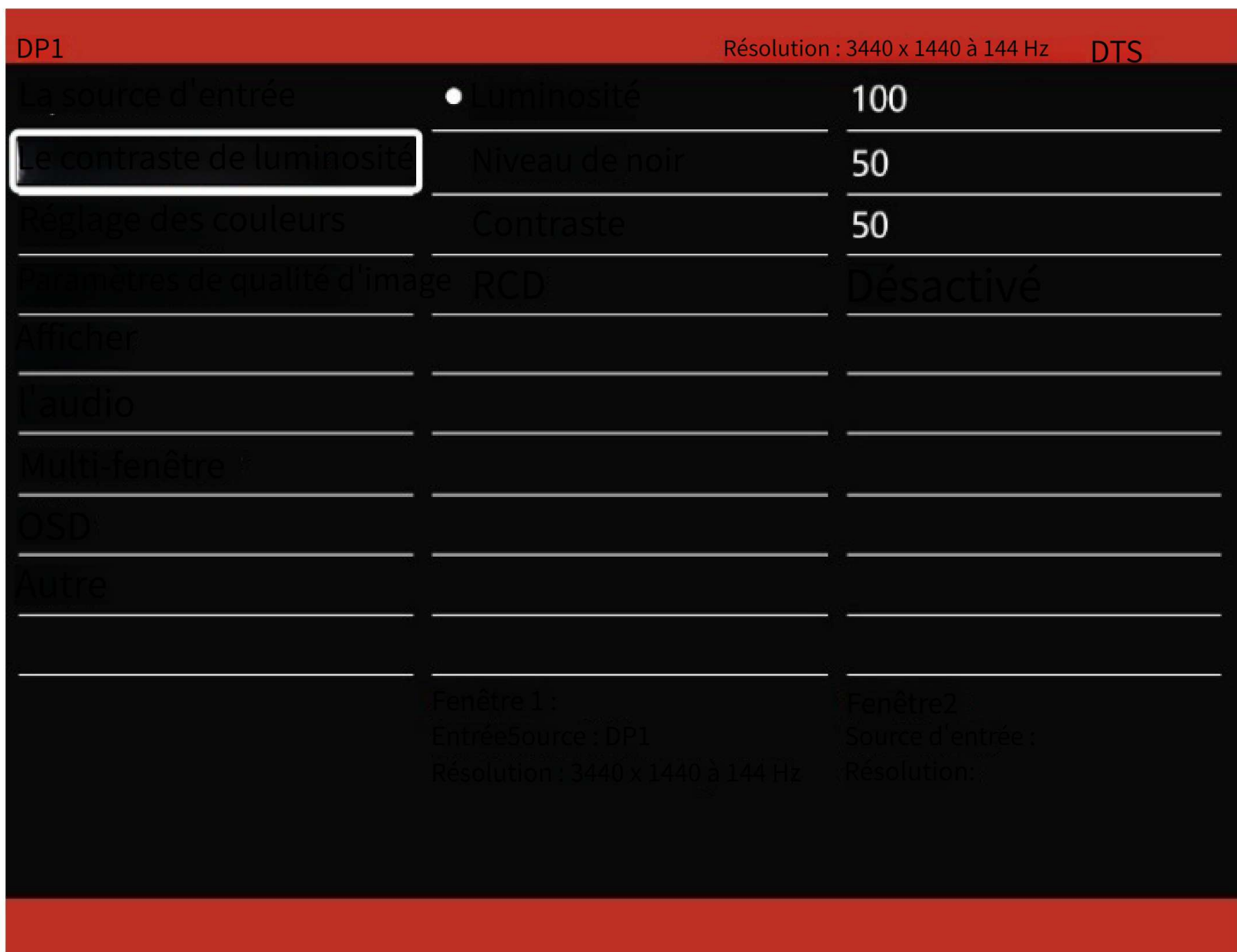
Connectez l'appareil pour modifier



* Source d'entrée :

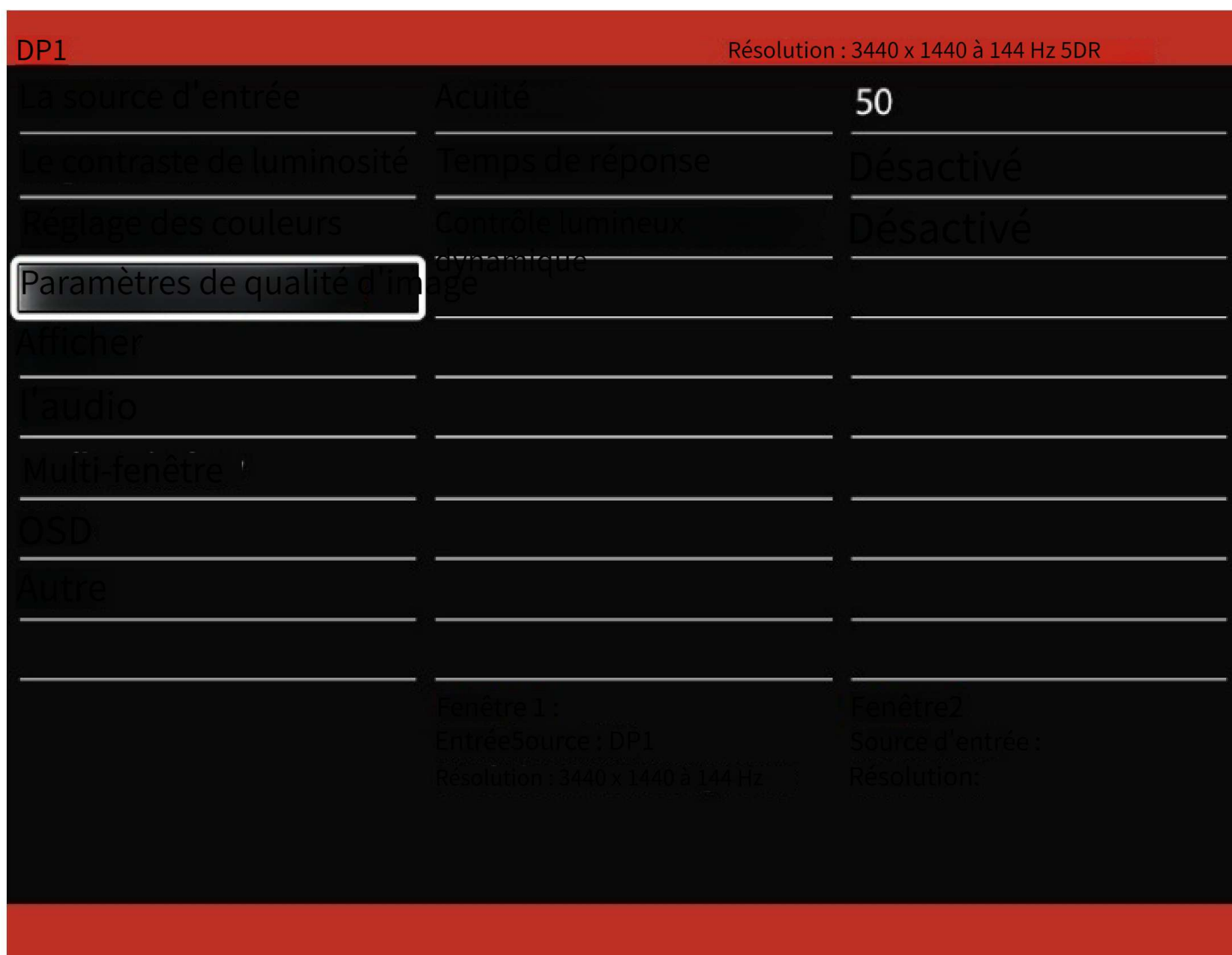
Vous pouvez changer le signal de sortie vidéo ici.

AFFICHAGE À L'ÉCRAN (OSD)



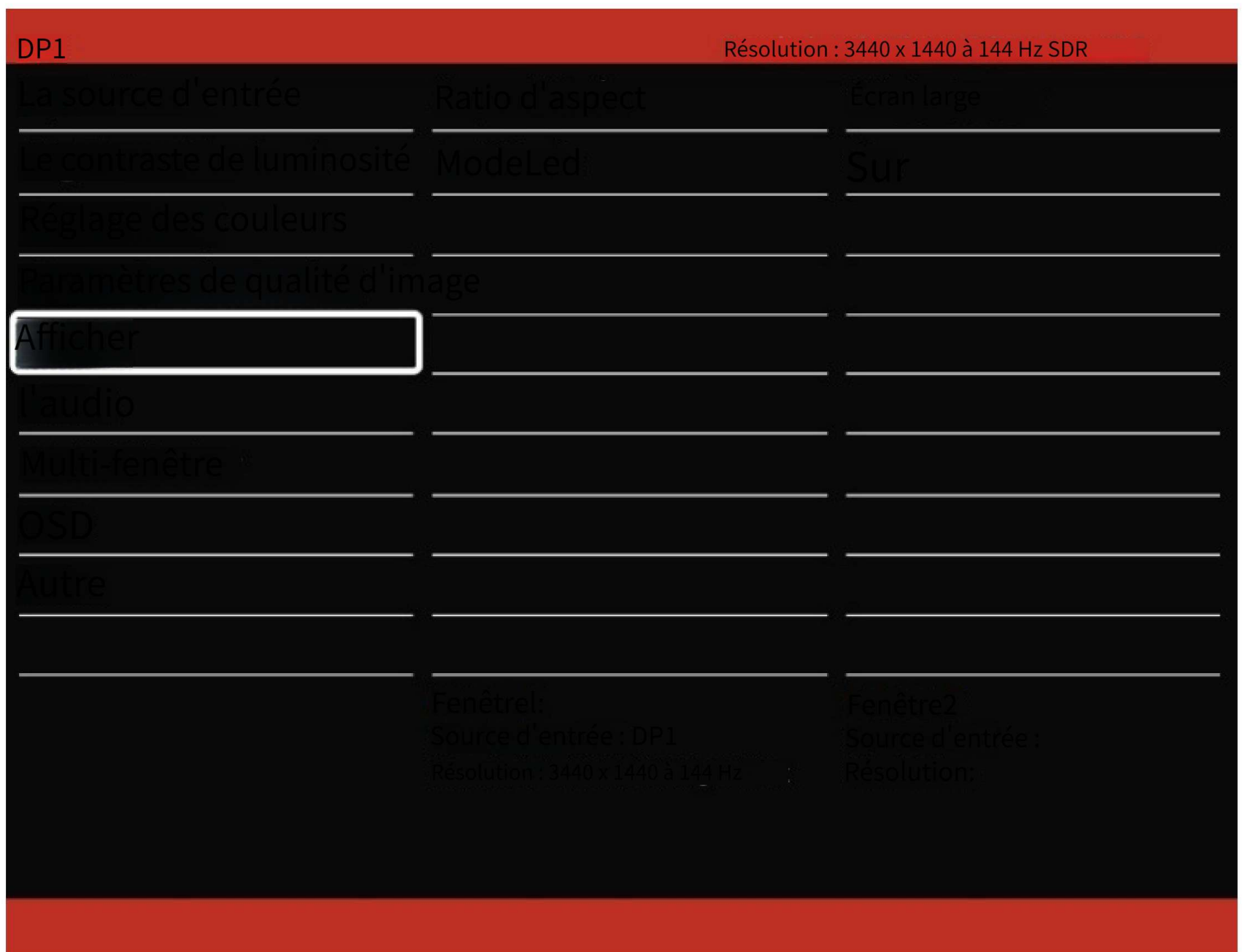
* Luminosité/contraste : Ici, vous pouvez ajuster le la luminosité et le contraste de l'écran

AFFICHAGE À L'ÉCRAN (OSD)



* Paramètre de qualité d'image : Vous pouvez activer ici réponse d'accélération et ajuster la clarté

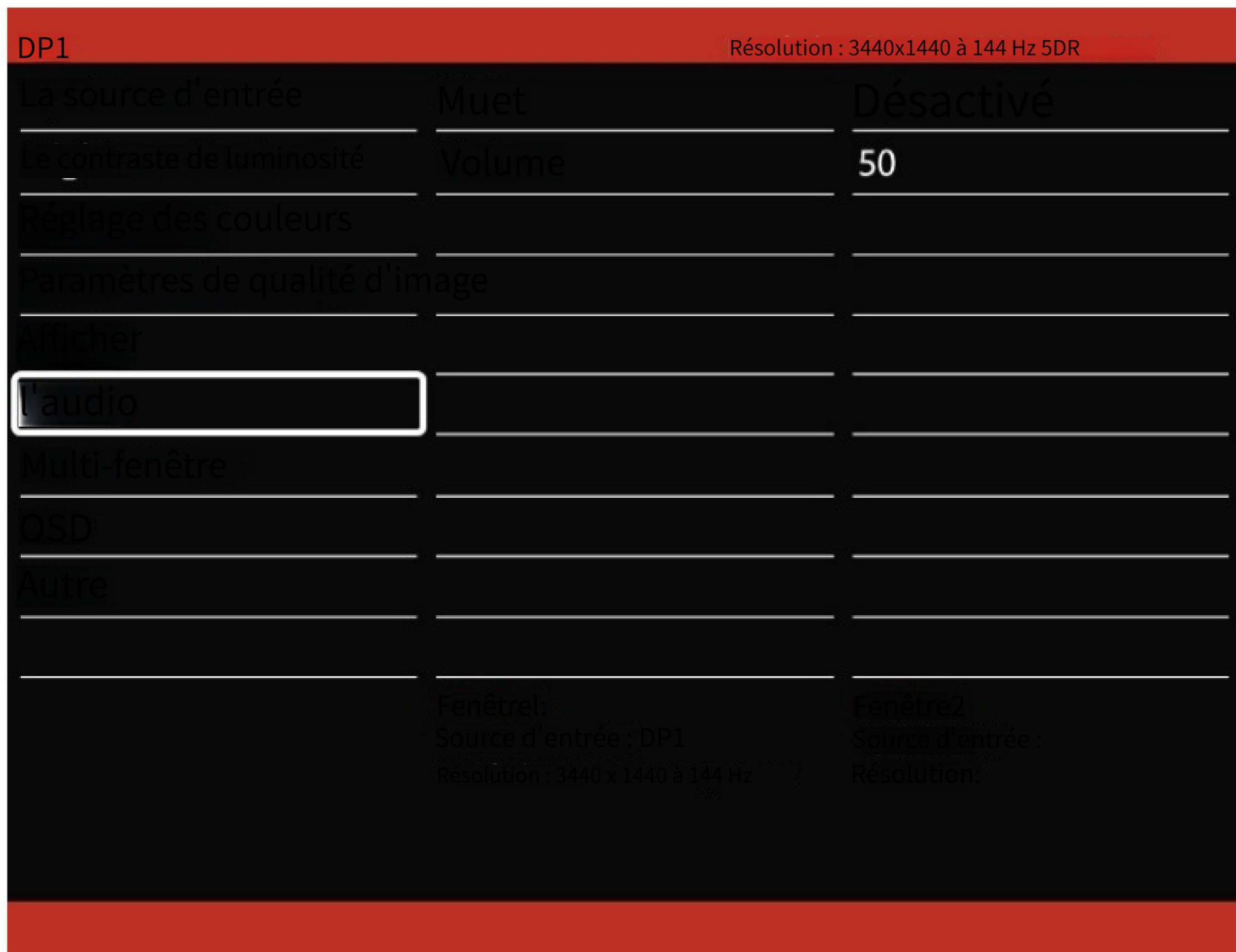
AFFICHAGE À L'ÉCRAN (OSD)



➤Affichage : Vous pouvez ajuster le rapport d' aspect et les couleurs RVB

Éclairage derrière l'écran ici.

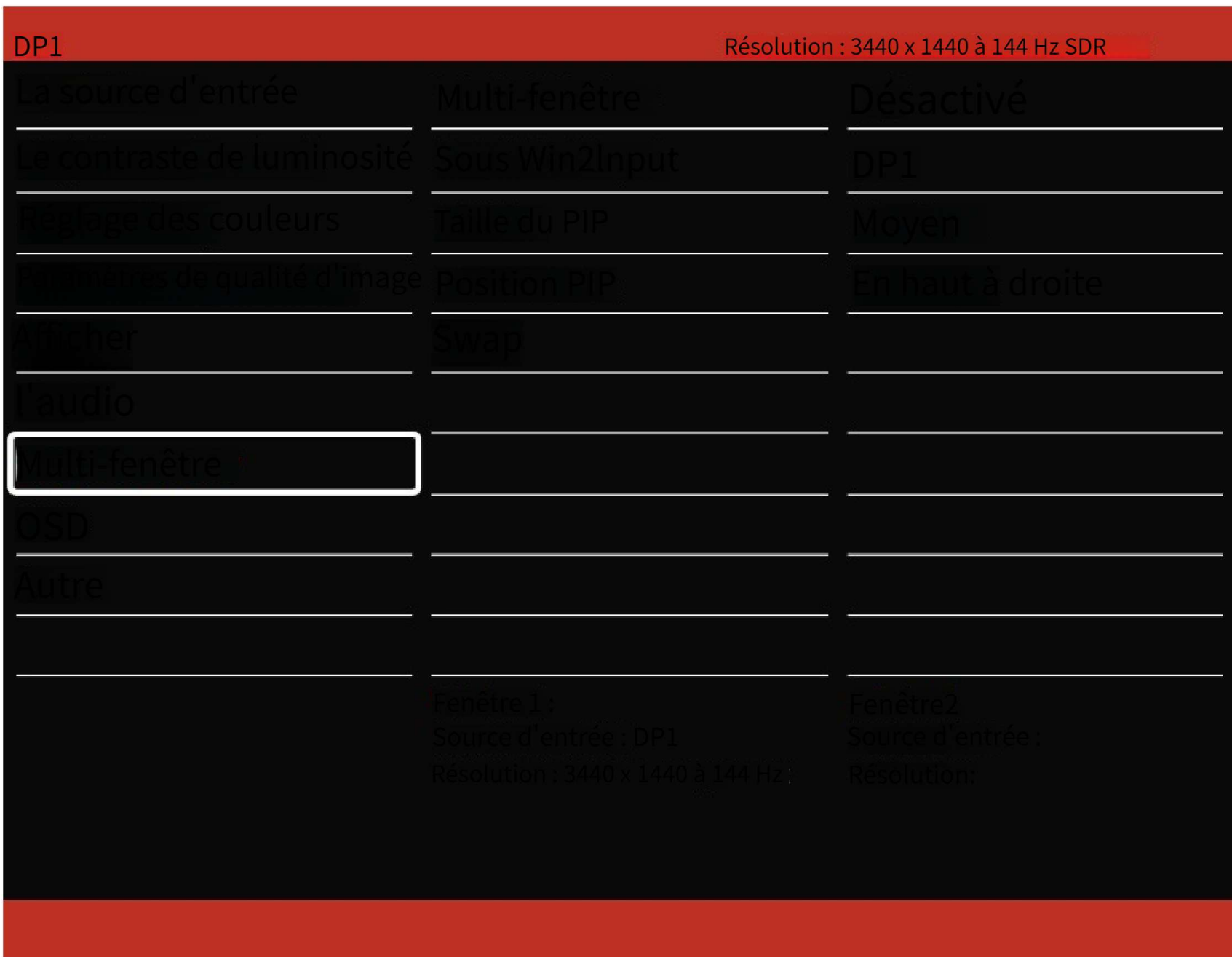
AFFICHAGE À L'ÉCRAN (OSD)



Audio : Vous pouvez ajuster le volume et la fonction de mise en sourdine de

l'interface audio ici

AFFICHAGE À L'ÉCRAN (OSD)



* **Fenêtre :** Ici, vous pouvez définir la multi-fenêtre Mode PIP/PBP. Sources d'entrée et conditions d'écran peuvent être ajusté.

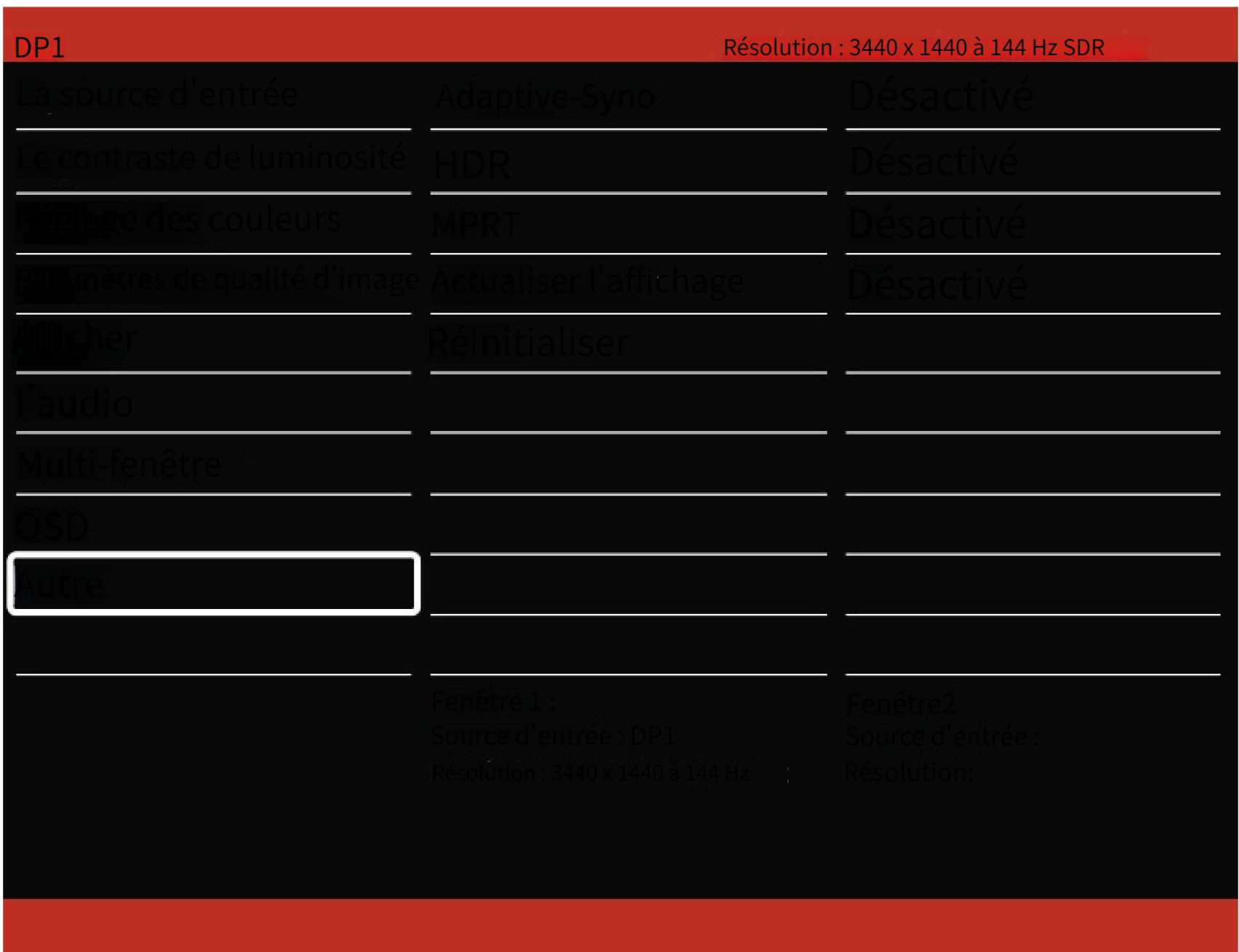
AFFICHAGE À L'ÉCRAN (OSD)

DP1 Résolution : 3440 x 1440 à 144 Hz DTS

La source d'entrée	Langue	Anglais
Le contraste de luminosité	OSDH-Position	50
Le gain des couleurs	Position OSDV	50
Image Paramètre de qualité	OSDTransparence	0
Éteindre	Délai d'expiration de l'OSD	10
L'audio	OSDRotation	Normal
Multi-fenêtre		
OSD		
Autre		
	Fenêtre 1 : Source d'entrée : DP1 Résolution : 3440 x 1440 à 144 Hz ;	Fenêtre2 Source d'entrée : Résolution:

*OSD : Ici, vous pouvez ajuster la langue et l'affichage de OSDmenus.

AFFICHAGE À L'ÉCRAN (OSD)

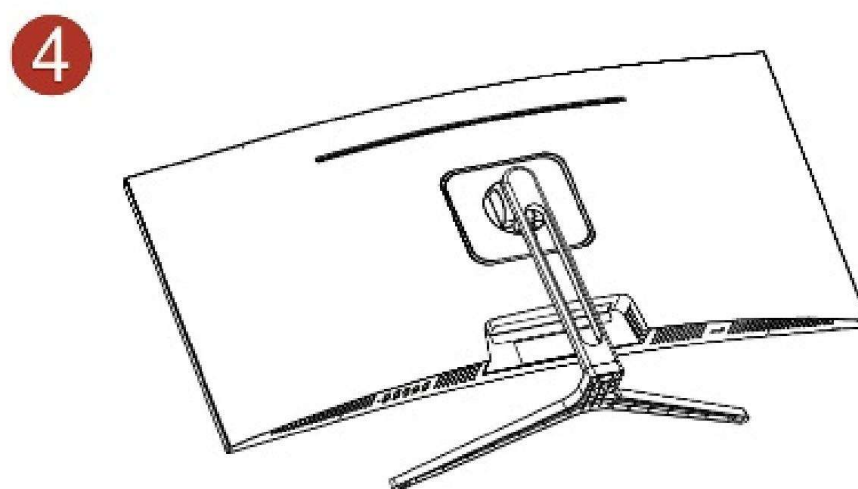
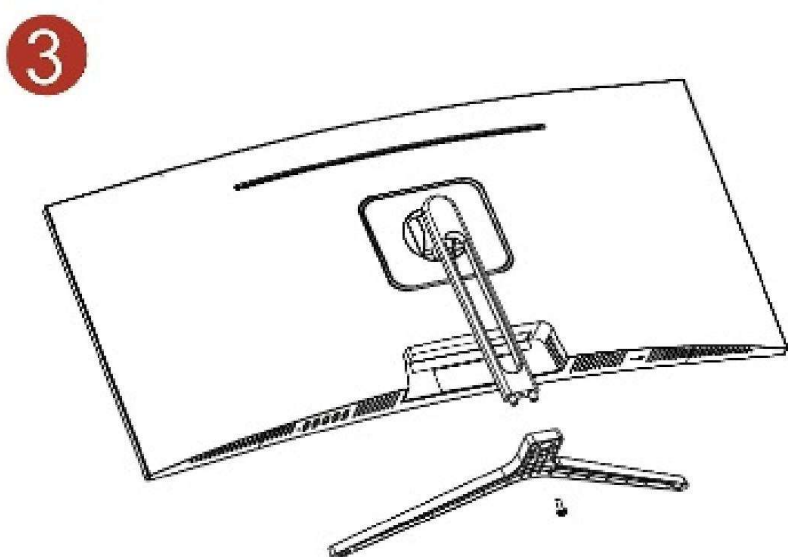
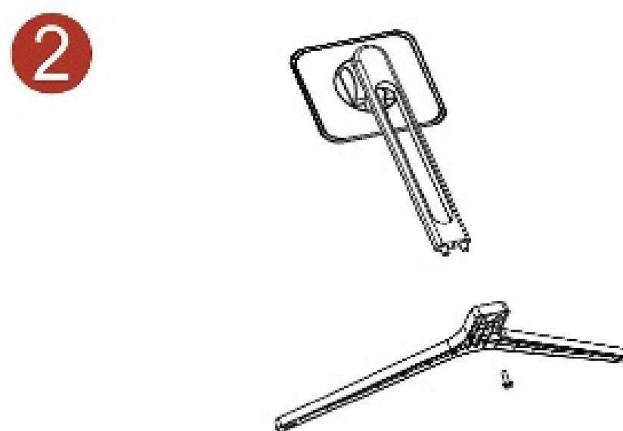
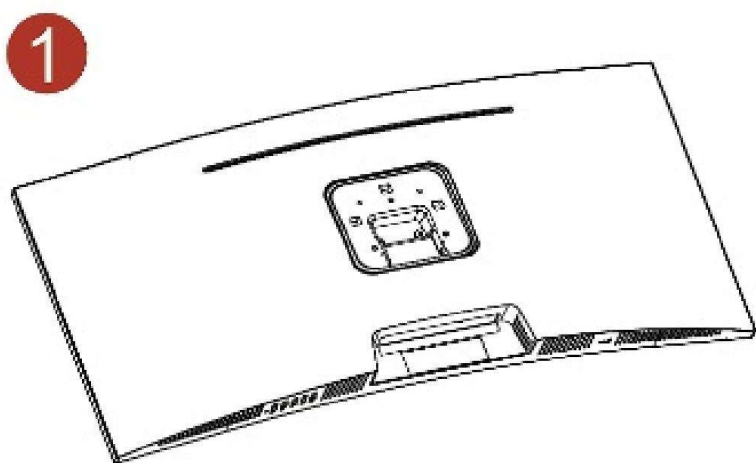


*Autre : Ici, vous pouvez configurer des fonctionnalités telles que Freesync et HDR. Et réinitialiser les paramètres de l'ensemble du menu.

Adaptive-Sync : Cela peut s'adapter automatiquement à Freesync et G-sync. Après l'ouverture, il peut éliminer

déchirure de l'écran et décalage causés par des taux de rafraîchissement élevés

INSTALLATION DU MONITOR



* VEUILLEZ NOTER

Les illustrations de ce document représentent des procédures types, elles peuvent donc différer du produit réel.

Placez le produit face vers le bas sur le polystyrène (coussin).

Si le polystyrène n'est pas disponible, utilisez un tapis d'assise épais.

Le serrage excessif des vis peut endommager l'écran.

Les dommages causés de cette manière ne seront pas couverts par la garantie du produit.

Ne transportez pas le moniteur à l'envers en le tenant uniquement par la base. Cela pourrait entraîner la chute du moniteur du support et des blessures corporelles.

Lors du levage ou du déplacement du moniteur, ne touchez pas à l'écran.

écran. La force appliquée sur l'écran du moniteur peut l'endommager.

FAIRE DES CONNEXIONS

* Sélectionnez une méthode de connexion adaptée à votre PC

-Les pièces de connexion peuvent différer selon les produits.

-Les ports fournis peuvent varier en fonction du produit.

Si c'est un ordinateur de bureau, le câble doit être connecté à l'interface de la carte graphique, pas l'interface de la carte mère.

Moniteur à balayage élevé pour obtenir une image parfaite et rafraîchie

Le taux nécessite l'utilisation d'un support de câble DP.

Connexion à l'aide d'un câble DP

DPIN



Connexion à l'aide du câble HDTV

Entrée HDTV



-Un câble DP plus court que 1,5 m de long est recommandé. L'utilisation d'un câble plus long que 1,5 m peut affecter la qualité de l' image.

Connexion à un casque



QUESTIONS FRÉQUEMMENT POSÉES

Si vous rencontrez un problème avec l'écran, vous pouvez vous référer à les méthodes de détection suivantes

Si vous présentez des symptômes non mentionnés ici, ou si ceux-ci ne pas partir après que vous ayez suivi le Instructions, veuillez arrêter d'utiliser le moniteur et le débrancher de la prise de courant

*** Rien ne s'affiche à l'écran**

Le cordon d'alimentation du moniteur est-il branché ?

Vérifiez que le cordon d'alimentation est correctement branché sur le prise de courant.

*** Le voyant d'alimentation est-il allumé ?**

Vérifiez la connexion du câble d'alimentation et appuyez sur le bouton d'alimentation bouton.

Essayez de changer un câble d'alimentation avec le même spécifications (câble d'alimentation

Spécifications pour 12V 5A 5.5mmX2.1mm)

*** Est-ce que le moniteur est en veille ?**

Si le moniteur est en mode veille, déplacez la souris ou appuyez sur une touche sur le clavier, pour allumer l'afficheur.

Vérifiez si l'ordinateur est allumé.

Est-ce que c'est HORS DE PORTÉE Le message étant

affiché ?

Cela se produit lorsque les signaux transférés depuis le PC (carte graphique) sont en dehors de la plage horizontale ou verticale

plage de fréquences du moniteur. Veuillez consulter le produit Section de spécification de ce manuel pour définir le approprié fréquence.

*** Le message Pas de signal s'affiche-t-il ?**

Vérifiez si le moniteur est connecté au bon port (à noter qu'il s'agit de l'interface de la carte graphique, et non du interface de la carte mère), vérifiez si le

Le câble de connexion du périphérique est inséré fermement, et utilisez le boutons pour ajuster au bon port de réception du signal

Comment régler l'angle de mon moniteur

Ce type de moniteur prend en charge le réglage vers le haut et vers le bas de -5° à 15°

1. Tenez la base du moniteur

2. Ensuite, utilisez votre autre main pour soulever délicatement le bas de l'écran afin de le relever. Veuillez faire attention à ne pas appuyer

l'écran. Il vous suffit d'ajuster le moniteur à la l'angle dont vous avez besoin.

Comment activer le réticule ?

Ce produit est construit avec plusieurs styles de réticules

que vous pouvez activer en cliquant
le deuxième bouton à l'arrière de l'écran et disr

Pourquoi le taux de rafraîchissement du moniteur ne atteindre un taux de rafraîchissement élevé

Manquez-le en appuyant sur le bouton du menu.

1. Tout d'abord, vous devez déterminer si le moniteur que vous achetez peut
atteindre un taux de rafraîchissement élevé, tel que 144 Hz, 165 Hz

etc.

2. Vérifiez si votre carte graphique dispose d'une interface DP

3. Utilisez le bon câble pour obtenir une fréquence de rafraîchissement élevée
taux, vous devez utiliser le câble DP

4. si le câble du signal est branché sur le moniteur

Excusez-moi, pas dans l'interface de la carte mère

Pourquoi suis-je connecté au casque dans le écran mais pas de son

1. Vérifiez si le moniteur est sélectionné comme périphérique de lecture audio
appareil sur l'appareil connecté

2. Vérifiez si le paramètre de muet "Muet" est activé dans le
menu du moniteur