

# **Gawfolk**

# **MONITOR**

---

USER MANUAL

## ABOUT WARNING SIGNS

---



This symbol indicates a potentially hazardous situation which, if ignored and mishandled, could result in personal injury and property damage, possibly serious injury

---

- This manual is applicable to model GF320C monitor
- Please follow the instruction manual for proper handling and use of the monitor
- Do not tamper with the inside of the monitor
- Please use the power cord and cable provided with this product as far as possible

- 
- Reproduction of all or part of the contents of this publication is strictly prohibited for the purpose of obtaining permission.
  - The content of this publication is subject to change in the future, please subscribe to the **Gawfolk** website to get the latest content
  - This manual has been carefully prepared, if you have found any errors or omissions, please contact our after-sales email

# • TABLE OF CONTENTS

• <b>PRE-USE INSTRUCTIONS</b> .....	01
— PRODUCT FEATURES .....	01
— STANDARD PAYABLES .....	01
• <b>IMPORTANT PRECAUTIONS</b> .....	02
— TO PREVENT LCD SCREEN BURN-IN .....	04
— MOVING AND LIFTING THE MONITOR .....	04
— Maintenance Guide .....	05
• <b>OPERATION AND INSTALLATION</b> .....	06
— CONTROL MENU OPERATION .....	06
— ON SCREEN DISPLAY(OSD) .....	07
— INSTALLING THE MONITOR .....	15
— MAKING CONNECTIONS .....	16
• <b>FREQUENTLY ASKED QUESTIONS</b> .....	17
• <b>WARRANTY POLICY</b> .....	19

# • PRE-USE INSTRUCTIONS

Thank you for purchasing this product, please read it carefully and use the book correctly before use.

In addition, the accompanying product manual and the product website describe Warranty Policy.

If you have a problem with your product, please review the warranty policy and contact our after-sales email

**E-Mail: [valued\\_service@outlook.com](mailto:valued_service@outlook.com)**

## • PRODUCT FEATURES •

- 32Inch monitor
- Supports up to 1920 x 1080P resolution
- 240Hz refresh rate
- 1500R curved screen
- VESA mounting standard (100 mm x 100mm)

## • STANDARD PAYABLES •

---

In addition to the monitor itself, please make sure that all of the following items are included

---

- |                  |                |                   |
|------------------|----------------|-------------------|
| • Bracket screws | • HDMI cable   | • DP cable        |
| • Display base   | • VESA screws  | • Product manuals |
| • Adapter        | • Display Neck |                   |



The supplied power cord is for use with this product only. Do not use it for other devices.

If you do not use the power cord included with this product, please use a power cord that meets the safety standards of your country.



# • IMPORTANT PRECAUTIONS

*Before using the product, please read the following precautions carefully and be sure to follow them.*

## ***If any abnormalities occur***

If there is smoke, strange smell or noise, turn off the power switch immediately, unplug from the power outlet and contact your dealer or GAWFOLK after-sales center for service. Direct use can cause fire and electric shock.

---

## ***Do not remove or modify cabinets***

The cabinet is not dismantled or modified with higher voltage parts inside, dismantling the cabinet or modifying it can lead to fire or electric shock.

---

## ***Do not place vases or cups near monitors***

Do not place containers containing water or other liquids or solvents near the monitor. Spillage or entry can cause fire, electric shock, or malfunction. If water or other conditions are encountered, immediately turn off the power switch and unplug the power supply from the electrical outlet.

---

## ***Do not place it in an unstable place***

Do not place the device on an unstable surface, such as an unstable table or on a tilt. It could fall or tip over and cause injury. Place the monitor on a flat, sufficiently sturdy and stable surface. If the monitor is dropped or the case is damaged, immediately turn off the power switch and unplug it from the outlet, which may cause a fire or electric shock if the monitor is used as is.

---

## ***Do not use in places where water is present***

Please do not use it in the bathroom and other places where water or moisture enters. It can cause fire and electric shock.

---

## ***Ground the power cord grounding lead***

For safety reasons, make sure the grounding lead is grounded. Make the grounding connection before inserting the power plug into the power outlet. Also, when removing the grounding, remove the grounding after unplugging the power plug from the power outlet. If the sequence is wrong, it can lead to electric shock.

---

*Before using the product, please read the following precautions carefully and be sure to follow them.*

### ***Do not damage the power cord***

Do not place heavy objects on the power cord or press it under the monitor. In addition, do not forcibly bend, pull or heat. The cord is damaged, resulting in fire or electric shock.

---

### ***Choose where to place it***

Do not place it underneath. It may cause fire, electric shock or malfunction.

- × Places where there is a lot of humidity or dust
  - × Places where fumes or heat shine, such as by cooking tables or humidifiers
  - × Places where direct sunlight or lighting shines directly onto the screen
  - × Near heating appliances
- 

### ***Hold the plug and pull it out.***

Do not pull off the power cord when unplugging the AC adapter, power cord or signal cord. Scratching the cord may result in fire or electric shock. Be sure to unplug the plug by grasping the part.

---

### ***Do not touch the power plug with wet hands***

Do not re-plug the power supply with wet hands. May cause electric shock

---

### ***Disconnect external connection cords when moving.***

Turn off the power switch, make sure that the power plug is unplugged from the power outlet, and make sure that connections such as signal cables have been unplugged and moved. Fire or electric shock may result.

---

## ***CORRECT POSTURE TO USE THE PRODUCT***

### **• Take care of your eyes**

The position of the screen should be slightly lower than the height of the eyes, about 40~60cm away from the eyes before it is easy to see and will not feel fatigue. If the room used is too dark, the eyes will be fatigued. Please use it at the appropriate brightness. In addition, a long time to continue to look at the screen will cause eye fatigue, it is recommended to rest about 10 minutes every hour.





## TO PREVENT LCD SCREEN BURN-IN

Displaying the same screen for a long period of time may cause screen burn-in (afterimage).

### To prevent LCD screen burn-in:

- Use screensavers with moving images or all-white screens.
- Change the desktop screen background regularly.
- Set the LCD screen brightness to a subdued level.
- Turn off the LCD monitor when not using the computer.

### If the LCD screen is burned out:

- Turn off the LCD monitor for several hours.
- Set the screen saver to all black or all white and leave the screen saver on for a few hours.

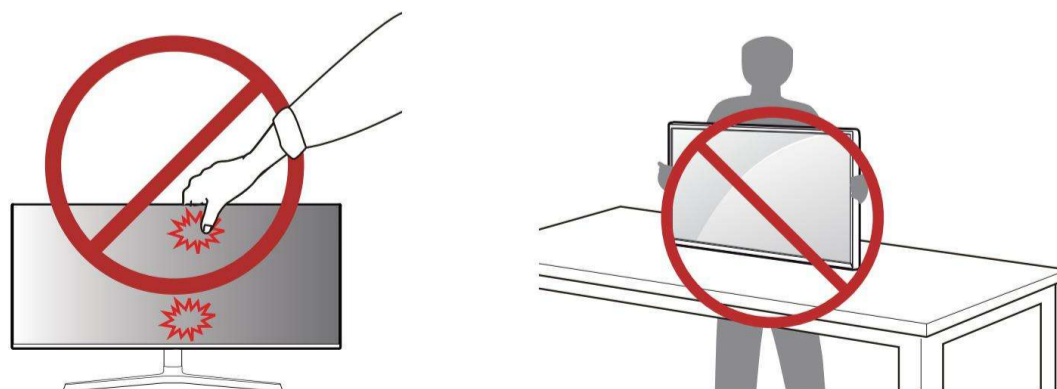
## MOVING AND LIFTING THE MONITOR

When moving or lifting the monitor, follow these instructions to prevent the monitor from being scratched or damaged and to ensure safe transportation, regardless of its shape or size.

- Place the monitor in the original box or packing material before attempting to move it.
- Before moving or lifting the monitor, disconnect the power cord and all other cables.
- Hold the bottom and side of the monitor frame firmly. Do not hold the panel itself.



- When holding the monitor, the screen should face away from you to prevent it from being scratched.
- When transporting the monitor, do not expose the monitor to shock or excessive vibration.
- When moving the monitor, keep it upright and never turn the monitor on its side or tilt it sideways.



Avoid touching the monitor screen as much as possible.

- This may result in damage to the screen or some of the pixels used to create images.



Note: Please read and follow the safety instructions before cleaning the monitor.

Warning: Before cleaning the monitor, unplug the monitor power cord from the power outlet.

### For best practice, please follow the instructions in the list below when unpacking, cleaning, or operating the monitor:

- If you find white powder when you open the monitor package, please wipe it off with a cloth. The white powder may be generated during the transportation of the monitor.
- When cleaning the antistatic screen, wet a clean soft cloth slightly in water. If possible, use special screen cleaning tissues or solvents suitable for antistatic coatings.

Do not use any harsh chemicals or harsh paper or cloth to clean the screen, as these may damage or scratch the screen surface.

- Avoid using excessive pressure: Do not press hard on the LCD screen as this may cause damage to it. Also, don't place heavy objects on top of the screen that can put pressure on it.
- Avoid using excessive pressure: Do not press hard on the LCD screen as this may cause damage to it. Also, don't place heavy objects on top of the screen that can put pressure on it.
- Avoid direct sunlight: Avoid direct sunlight hitting the screen as this can darken or "burn in" the screen. If the screen is in direct sunlight, reposition the monitor or use a sun visor.
- Turn off display when away: If you don't need to use the display for a while, turn it off. This not only prolongs screen life, but also saves energy.
- Avoid Prolonged Use: Prolonged use of LCD monitors may cause "burn-in" phenomenon. Therefore, you should try to avoid using the monitor continuously for more than a few hours. If you need to use the monitor for a long time, you can display moving images on the screen or use a screen saver



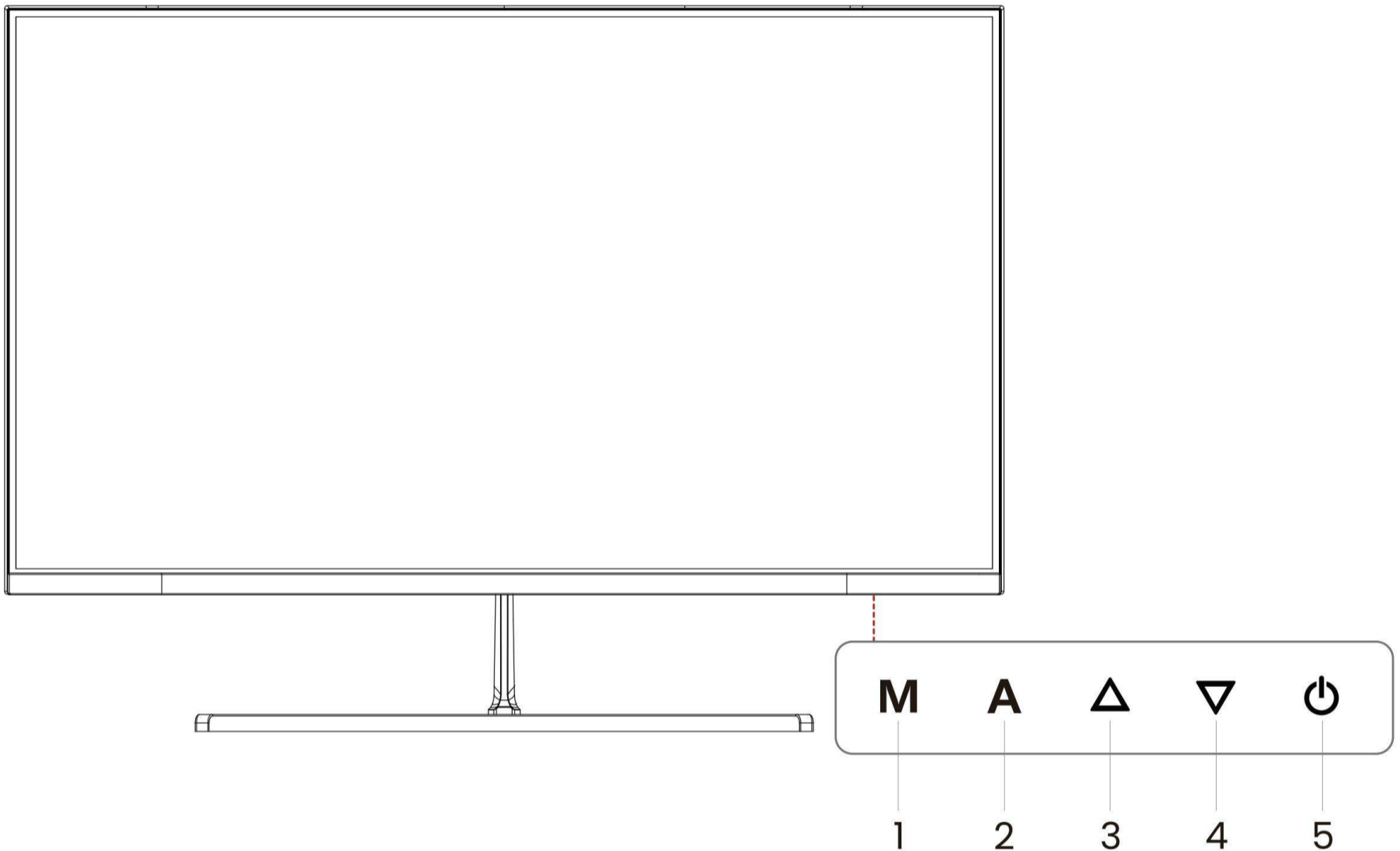
If you have any questions during the maintenance process, please feel free to contact Gawfolk after-sales email

**Our email: [valued\\_service@outlook.com](mailto:valued_service@outlook.com)**



# • OPERATION AND INSTALLATION

## CONTROL MENU OPERATION

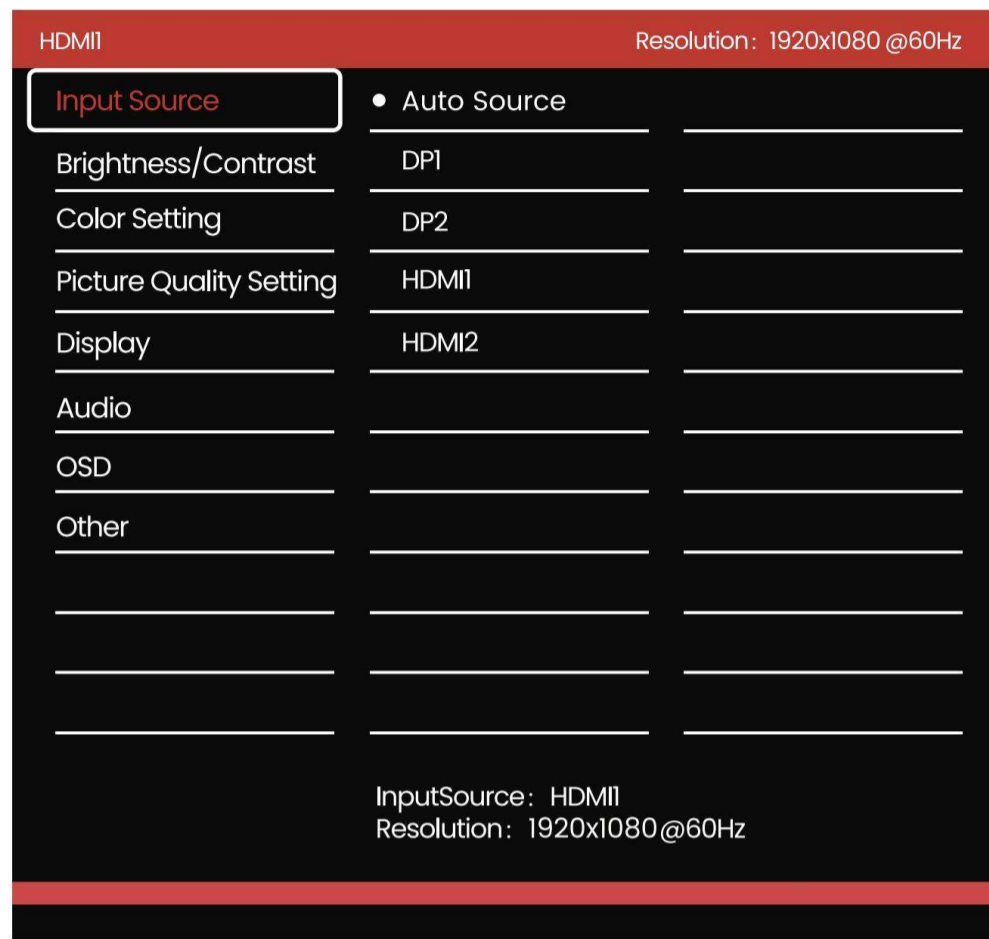


1. " **M** " Menu Key
2. " **A** " Return Key
3. " **△** " Brightness /up direction selection key
4. " **▽** " Front sight / Down direction selection key
5. " **⏻** " Power wsich key

## ON SCREEN DISPLAY(OSD)

\* The above functions may be adjusted due to different models or software version upgrades. For details, please refer to the electronic user manual on the Gawfolk official website.

\* Monitor default 60Hz, want to achieve high brush please go to connect the device to modify.

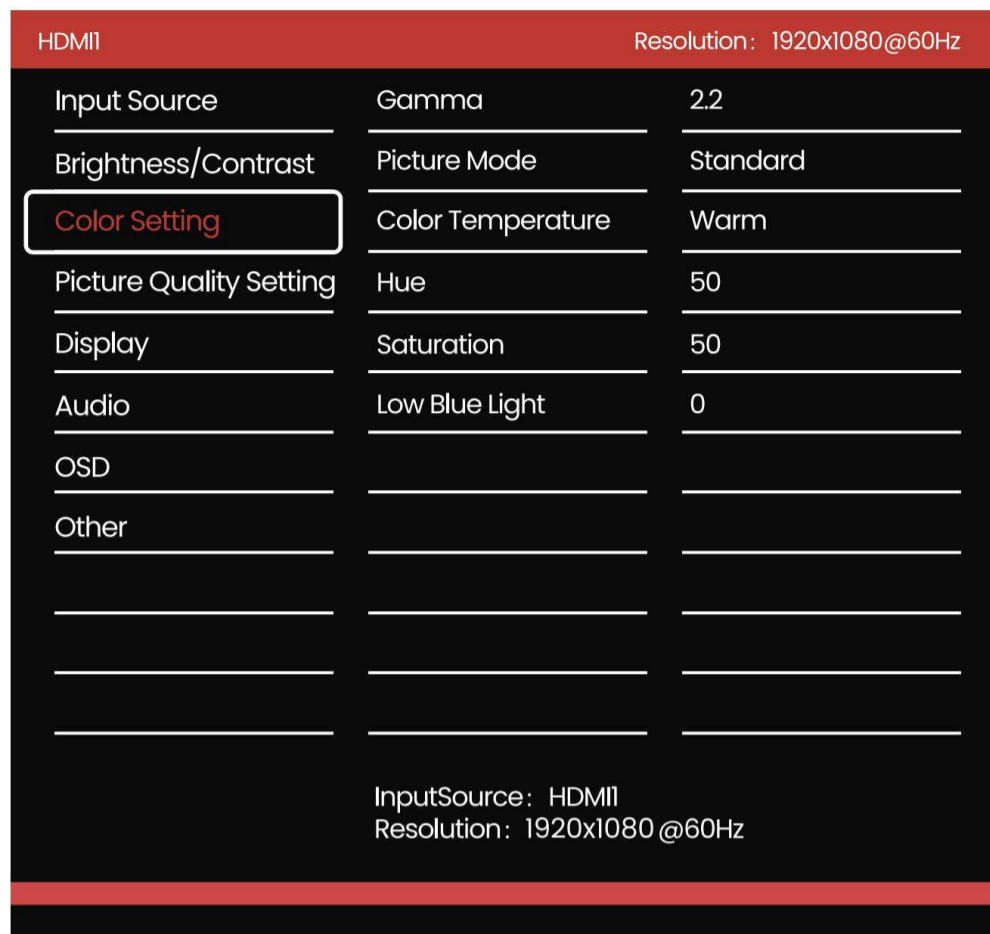


### Input Source

Select the output method of the monitor

\* If your monitor signal cable is connected to a different output device, you can use this option to select the signal cable of your output device, the output device to which the signal cable is connected is already displayed





## Color Setting

### Gamma:

This option will adjust your displays brightness. Use the up and down buttons to increase or decrease brightness setting

### Picture Mode:

This option is a preset image mode for the monitor, which can help you quickly adjust brightness, contrast, color and other parameters to adapt to different usage scenarios

### Color Temperature:

This option can adjust the color temperature of the display, that is, the degree to which the colors displayed on the screen are warmer or cooler

### Hue:

This option can adjust the color shift of the monitor and change the color tone displayed by the monitor

### Saturation:

This function can adjust the saturation of the display to make your picture more vivid and soft

### Low Blue Light:

Turning on this function can reduce the blue light output by the monitor screen, thereby reducing eye irritation and relieving eye fatigue and discomfort caused by prolonged use of the monitor



The screenshot shows the OSD menu for HDMI input. The top bar indicates 'HDMI' and 'Resolution: 1920x1080@60Hz'. The menu items are arranged in a grid. 'Picture Quality Setting' is highlighted with a red border. Below the menu, the current settings are displayed: 'InputSource: HDMI' and 'Resolution: 1920x1080@60Hz'.

HDMI		Resolution: 1920x1080@60Hz
Input Source	Sharpness	50
Brightness/Contrast	Response Time	off
Color Setting	NoiseReduction	off
<b>Picture Quality Setting</b>	Dynamic Luminous control	off
Display		
Audio		
OSD		
Other		
InputSource: HDMI Resolution: 1920x1080@60Hz		

## Picture Quality Setting

### Sharpness:

This option adjusts the monitor's image sharpness, making the edges of the image clearer. However, setting Sharpness too high can result in jagged edges and other unnatural visual effects in the image

### Response Time:

After this option is turned on, the response speed of the display can be improved, image blurring and afterimages can be reduced, and the smoothness of games and videos can be improved.

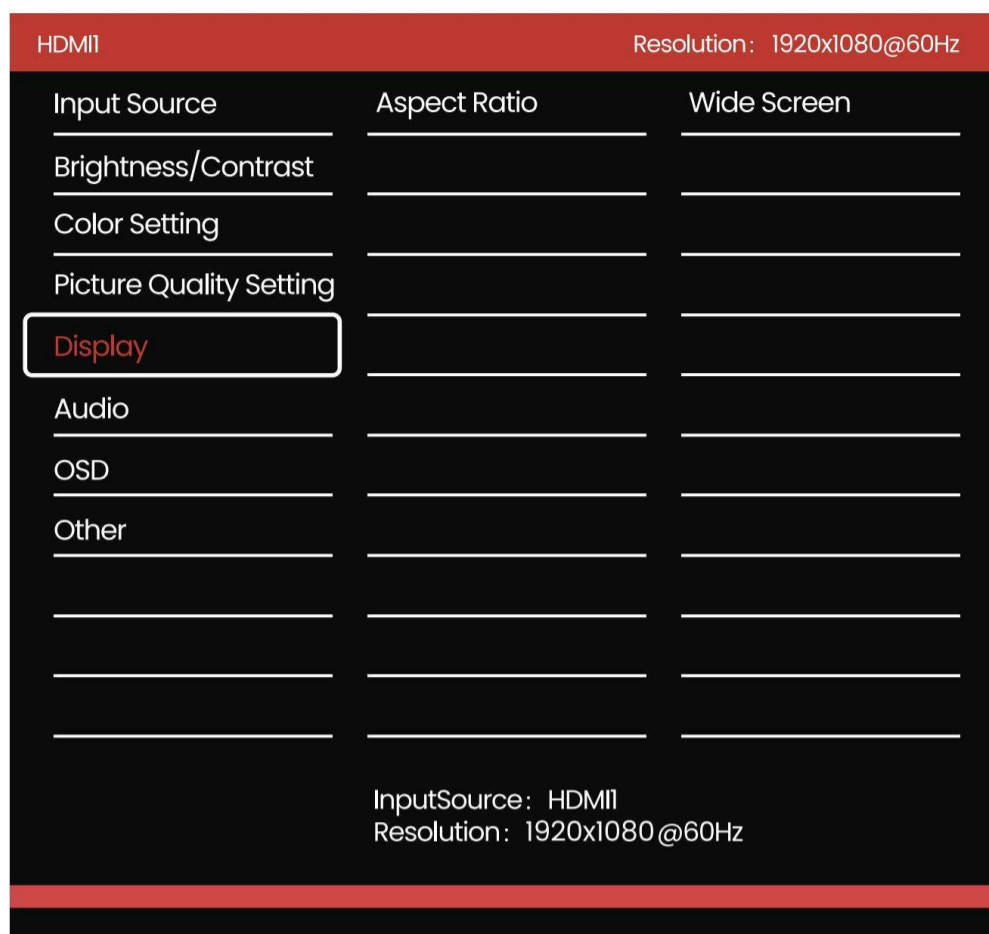
### NoiseReduction:

Suppress image noise and improve image clarity.

### Dynamic Luminous control:

Adjusts the contrast of your display dynamically.

## ON SCREEN DISPLAY(OSD)



### Display

#### Aspect Ratio:

This option will adjust the monitor's aspect ratio screen. Use the Up and Down buttons to make your selection.

\* This option is automatically set by the system, no need to adjust

# ON SCREEN DISPLAY(OSD)

HDMI1		Resolution: 1920x1080@60Hz
Input Source	Mute	off
Brightness/Contrast	Volume	50
Color Setting		
Picture Quality Setting		
Display		
<b>Audio</b>		
OSD		
Other		
InputSource: HDMI1		
Resolution: 1920x1080@60Hz		

## Audio

**Mute:**

This option is used to turn off or turn on the monitor's audio output

**Volume:**

This option is used to adjust the volume of the display

HDMI		Resolution: 1920x1080@60Hz
Input Source	Language	English
Brightness/Contrast	OSD H-Position	50
Color Setting	OSD V-Position	50
Picture Quality Setting	OSD Transparency	20
Display	OSD Time Out	20
Audio	OSD Rotation	Normal
OSD		
Other		
InputSource: HDMI		
Resolution: 1920x1080@60Hz		

## OSD

### Language:

This selection will change the language on Screen Display. After entering use the up and down buttons to change the position left to right

### OSD H-Position:

This selection will change the horizontal position of the On Screen Display Menu.

### OSD V-Position:

This selection will change the vertical position of the On Screen Display Menu.

### OSD Transparency:

This selection will adjust OSD menu transparency on the screen

### OSD Time Out:

This selection will adjust OSD menu display time on the screen

### OSD Rotation:

Adjust the orientation Angle of the menu.



## ON SCREEN DISPLAY(OSD)

HDMI1		Resolution: 1920x1080@60Hz
Input Source	FreeSync (Adaptive Sync)	off
Brightness/Contrast	HDR	off
Color Setting	Reset	
Picture Quality Setting		
Display		
Audio		
OSD		
Other		
InputSource: HDMI1 Resolution: 1920x1080@60Hz		

### Other

#### FreeSync (Adaptive Sync):

When this function is turned on, the refresh rate of the display will be automatically synchronized with the output frame rate of the graphics card to eliminate screen tearing and stuttering in the game and provide a smoother gaming experience

\* This function requires the support of the graphics card to enable it.  
The operation method can be viewed on the CRUA official website.

#### HDR:

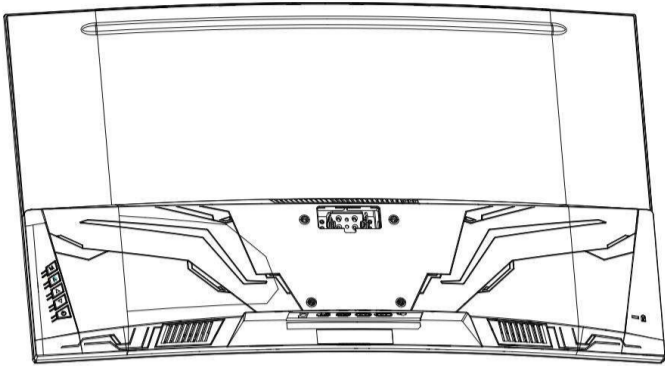
Press MENU to shows the main choice menus, press MENU into HDR MODE choice item, press up or down to select ON or OFF, press menu to open or close HDR MODE function

#### Reset:

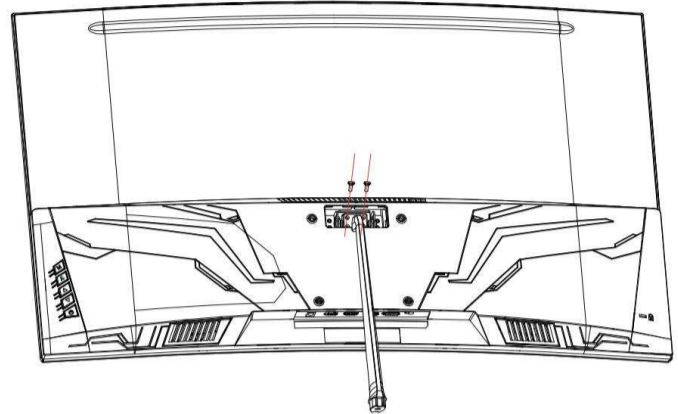
This function can restore the settings of the monitor to the factory settings

## INSTALLING THE MONITOR

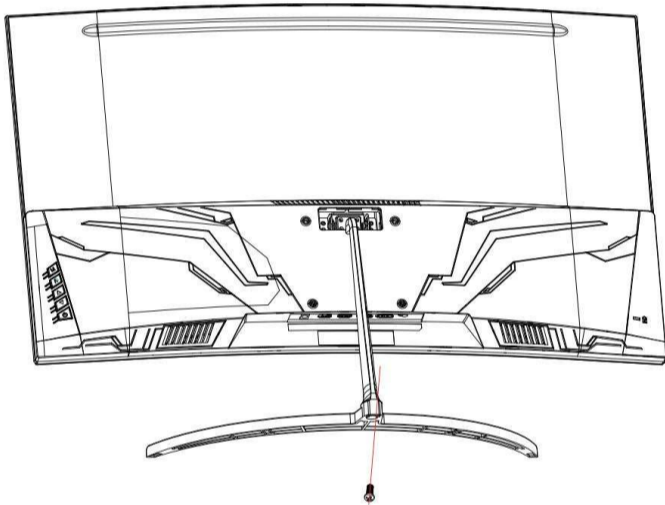
1



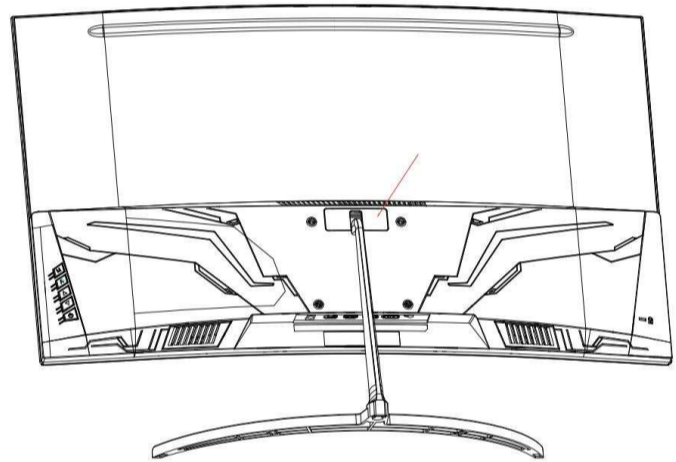
2



3



4



### • PLEASE NOTE •

- Illustrations in this document represent typical procedures, so they may look different from the actual product.
- Place the the product facing down on the Styrofoam (cushion) , If Styrofoam is unavailable, use a thick sitting mat.
- Applying excessive force when tightening screws may cause damage to the monitor. Damage caused in this way will not be covered by the product warranty.
- Do not carry the monitor upside down by just holding the base.This may cause the monitor to fall off the stand and could result in personal injury.
- When lifting or moving the monitor,do not touch the monitor screen.The force applied to the monitor screen may cause damage to it.

## Select a connection method suitable for your PC.

- Connecting parts may differ in different products.
- Provided ports may vary depending on the product.
- For more cable descriptions, please refer to the Gawfolk website ([www.gawfolk.com](http://www.gawfolk.com))

- 
- If it is a desktop computer, the cable needs to be connected to the interface of the graphics card, not the interface of the motherboard.
- 
- High brush monitor to achieve a perfect picture refresh rate requires the use of DP cable support.
- 

## Connection Using the HDMI Cable

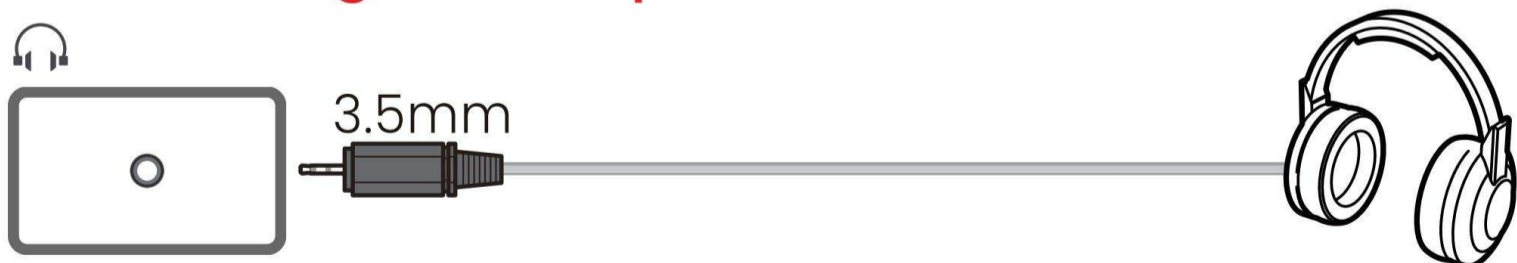


## Connection Using an DP Cable



— A DP cable shorter under 1.5 m in length is recommended. Using a cable longer than 1.5 m can affect the picture quality.

## Connecting to Headphones





# • FREQUENTLY ASKED QUESTIONS

- If there is a problem with the monitor, you can refer to the following detection methods
- If you experience symptoms not listed here, or if they do not go away after you follow the instructions, please stop using the monitor and unplug it from the power outlet and contact Gawfolk after-sales email with your Amazon order number and the fault video

**Our email: [valued\\_service@outlook.com](mailto:valued_service@outlook.com)**

---

*Nothing is displayed on the screen*

## Is the monitor's power cord plugged in?

- Check if the power cord is correctly plugged into the power outlet.

## Is the power LED on?

- Check the power cable connection and press the power button.
- Try to change a power cable with the same specifications (power cable specifications for 12V 4A 5.5mmX2.1 mm)

## Is the power LED blinking?

- If the monitor is in sleep mode, move the mouse, or press any key on the keyboard, to switch the display on.
- Check if the computer is turned on.

## Is the OUT OF RANGE message being displayed?

- This occurs when signals transferred from the PC (graphics card) are out of the horizontal or vertical frequency range of the monitor. Please see the Product Specification section of this manual to set the appropriate frequency.

## Is the No Signal message being displayed?

- Check whether the monitor is connected to the correct port (note that it is the graphics card interface, not the motherboard interface), check whether the device connection cable is inserted firmly, and use the buttons to adjust to the correct signal receiving port.



## *How do I adjust the angle of my monitor*

This type of monitor supports up and down adjustment of -5 ° to 15 °.

1. Hold the monitor base
2. And then, use your other hand to gently lift the bottom of the monitor to lift it up.  
Please be careful not to press the screen. You just need to adjust the monitor to the angle you need.

## *How do I turn the crosshair on*

This product is built with multiple styles of crosshairs that you can turn on by clicking the second button on the back of the screen and dismiss it by pressing the menu button.

## *Why does the monitor's refresh rate not reach high refresh*

1. First you need to determine whether the monitor you buy can reach a high refresh rate, such as 144Hz, 165Hz, etc.
2. Check whether your graphics card has a DP interface
3. Use the correct cable, in order to achieve a high refresh rate, you need to use the DP cable
4. whether the signal cable is plugged into the monitor's excuse, not into the motherboard interface

## *Why am I connected to the headset in the monitor but no sound*

1. Check if the monitor is selected as the sound playback device on the connected device
2. Check if the mute setting "Mute" is turned on in the monitor menu

# • WARRANTY POLICY

## • WARRANTY COVERAGE •

- Within one month of purchasing the product the product will be returned if there is a quality problem

## • WARRANTY TIME LIMIT •

- The warranty period is one year from the date of purchase
- Please contact us with your order number from Amazon and we will provide you with an extended warranty

## • THIS LIMITED WARRANTY DOES NOT APPLY TO: ("EXCLUSIONS") •

- Removal, modification, defacement or damage to the warranty seal and original factory serial number.
- Damage caused by improper installation, including but not limited to incorrect or inadequate power supply.
- Damage caused by long-term display of still images (also known as "image residue") or by improper use.
- Damage (including cosmetic damage such as scratches, spots or dents), malfunction, loss or personal injury caused by abuse, misuse, neglect, improper maintenance and storage or acts of nature.
- Damage occurring during transportation or movement by the customer .
- Damage caused by infection or installation of illegal software.

---

For the latest warranty policy,  
please refer to Gawfolk official website

[www.gawfolk.com](http://www.gawfolk.com)



Thank you for purchasing our products

Any problem please contact us via email address

**[valued\\_service@outlook.com](mailto:valued_service@outlook.com)**



# Gawfolk

# MONITEUR

MANUEL DE L'UTILISATEUR



Ce symbole indique une situation potentiellement dangereuse qui, si elle est ignorée et mal utilisée, elle peut entraîner des blessures corporelles et dommages matériels, blessures potentiellement graves

---

- Ce manuel s'applique au moniteur modèle GF32oc
- Veuillez suivre le manuel d'instructions pour une manipulation et une utilisation appropriées du moniteur.
- Ne modifiez pas l' intérieur du moniteur
- Veuillez utiliser autant que possible le cordon d'alimentation et le câble fournis avec ce produit.

- 
- La reproduction de tout ou partie du contenu de cette publication est strictement interdite dans le but d'obtenir une autorisation.
  - Le contenu de cette publication est susceptible d'être modifié à l'avenir, veuillez vous abonner sur le site Web de Gawfolk pour obtenir le contenu le plus récent
  - Ce manuel a été soigneusement préparé, si vous avez trouvé des erreurs ou des omissions Veuillez contacter notre service après-vente par e-mail

# ● TABLE DES MATIÈRES

● INSTRUCTIONS AVANT UTILISATION.....	01
— CARACTÉRISTIQUES DU PRODUIT.....	01
— DETTES STANDARD.....	01
● PRÉCAUTIONS IMPORTANTES.....	02
— POUR ÉVITER LA MARQUE DE BRÛLURE DE L'ÉCRAN LCD.....	04
— Déplacement et liste du moniteur.....	04
— Guide d'entretien.....	05
● OPÉRATION ET INSTALLATION.....	06
— FONCTIONNEMENT DU MENU DE COMMANDE.....	06
— AFFICHAGE À L'ÉCRAN (OSD).....	07
— INSTALLATION DU MONITEUR.....	15
— FAIRE DES CONNEXIONS.....	16
● QUESTIONS FRÉQUEMMENT POSÉES.....	17
● POLITIQUE DE GARANTIE.....	19



# • INSTRUCTIONS DE PRÉ-UTILISATION

Merci d'avoir acheté ce produit, veuillez le lire attentivement et utiliser le livre correctement avant utilisation.

De plus, le manuel du produit qui l'accompagne et le site Web du produit décrivent la politique de garantie.

Si vous rencontrez un problème avec votre produit, veuillez consulter la politique de garantie et contacter notre email après-vente

E-mail: [valued\\_service@outlook.com](mailto:valued_service@outlook.com)

## • CARACTÉRISTIQUES DU PRODUIT •

Écran de 32 pouces

Prend en charge une résolution allant jusqu'à 1920 x 1080P

Taux de rafraîchissement de 240 Hz

Écran incurvé 1500R

Norme de montage VESA (100 mm x 100 mm)

## • DETTES STANDARD •

---

En plus du moniteur lui-même, assurez-vous que tous les éléments suivants sont inclus

---

. Vis de support

Câble HDTV

. Câble DP

Socle d'affichage

Vis VESA

Manuels de produits

Adaptateur

Col de chemise



Le cordon d'alimentation fourni est destiné à être utilisé uniquement avec ce produit. Ne l'utilisez pas pour d'autres appareils

Si vous n'utilisez pas le cordon d'alimentation fourni avec ce produit, veuillez utiliser un cordon d'alimentation conforme aux normes de sécurité de votre pays

# ● PRÉCAUTIONS IMPORTANTES

## Avant d'utiliser le produit

veuillez lire attentivement les précautions suivantes et assurez-vous de les suivre

### Si des anomalies surviennent

En cas de fumée, d'odeur étrange ou de bruit, éteignez immédiatement l'appareil, débranchez-le de la prise secteur et contactez votre revendeur ou le centre après-vente GAWFoLK pour une réparation. L'utilisation directe peut provoquer un incendie et un choc électrique.

---

### Ne pas retirer ou modifier les armoires

L'armoire n'est pas démontée ou modifiée avec des pièces à haute tension à l'intérieur, le démontage de l'armoire ou sa modification peut entraîner un incendie ou un choc électrique.

---

### Ne placez pas de vases ou de tasses à proximité des moniteurs

Ne placez pas de récipients contenant de l'eau ou d'autres liquides ou solvants à proximité du moniteur. Tout déversement ou pénétration peut provoquer un incendie, une électrocution ou un dysfonctionnement. En cas de présence d'eau ou d'autres conditions, éteignez immédiatement l'interrupteur d'alimentation et débranchez l'alimentation de la prise électrique.

---

### Ne le placez pas dans un endroit instable

Ne placez pas l'appareil sur une surface instable, telle qu'une table instable ou sur une pente. Il pourrait tomber ou basculer et provoquer des blessures. Placez le moniteur sur une surface plane, suffisamment solide et stable. Si le moniteur tombe ou si le boîtier est endommagé, éteignez immédiatement l'interrupteur d'alimentation et débranchez-le de la prise, ce qui pourrait provoquer un incendie ou un choc électrique si le moniteur est utilisé tel quel.

---

### Ne pas utiliser dans des endroits où de l'eau est présente

Veuillez ne pas l'utiliser dans la salle de bain et autres endroits où l'eau ou l'humidité pénètre. Cela peut causer incendie et choc électrique

---

### Mettez à la terre le câble de mise à la terre du cordon d'alimentation

Pour des raisons de sécurité, assurez-vous que le câble de mise à la terre est relié à la terre. Effectuez la connexion à la terre avant d'insérer la fiche d'alimentation dans la prise de courant. De plus, lorsque vous retirez la mise à la terre, retirez-la après avoir débranché la fiche d'alimentation de la prise de courant. Si la séquence est incorrecte, cela peut entraîner un choc électrique.

---



**Avant d'utiliser le produit  
veuillez lire attentivement les précautions suivantes et assurez-vous de les suivre**

### N'endommagez pas le cordon d'alimentation

Ne placez pas d'objets lourds sur le cordon d'alimentation et ne l'appuyez pas sous le moniteur. De plus, ne le pliez pas, ne le tirez pas et ne le chauffez pas de force. Le cordon risquerait d'être endommagé, ce qui pourrait provoquer un incendie ou une décharge électrique.

### Choisissez où le placer

Ne le placez pas en dessous. Cela pourrait provoquer un incendie, une électrocution ou un dysfonctionnement.

- x Endroits où il y a beaucoup d'humidité ou de poussière
- x Endroits où les fumées ou la chaleur brillent, comme près des tables de cuisson ou des humidificateurs x
- Endroits où la lumière directe du soleil ou l'éclairage éclaire directement l'écran x
- À proximité d'appareils de chauffage

### Tenez la fiche et retirez-la.

Ne retirez pas le cordon d'alimentation lorsque vous débranchez l'adaptateur secteur, le cordon d'alimentation ou le cordon de signal. Gratter le cordon peut entraîner un incendie ou un choc électrique. Assurez-vous de débrancher la fiche en saisissant la pièce.

### Ne touchez pas la fiche d'alimentation avec les mains mouillées

Ne rebranchez pas l'alimentation électrique avec les mains mouillées. Peut provoquer un choc électrique

### Débranchez les cordons de connexion externes lors du déplacement

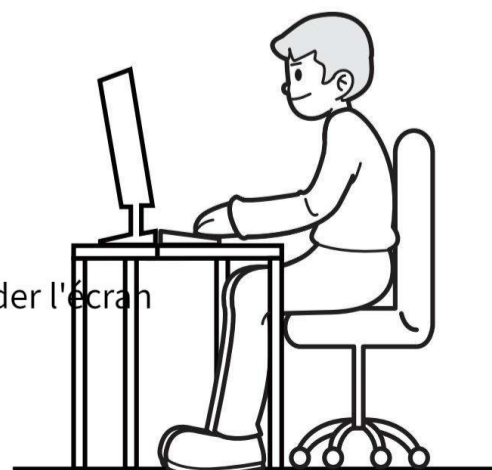
Éteignez l'interrupteur d'alimentation, assurez-vous que la fiche d'alimentation est débranchée de la prise de courant et assurez-vous que les connexions telles que les câbles de signal ont été débranchées et déplacées. Un incendie ou un choc électrique pourrait en résulter.

## **POSTURE CORRECTE POUR UTILISER LE PRODUIT**

### Prenez soin de vos yeux

La position de l'écran doit être légèrement plus basse que la hauteur des yeux, à environ 40 ~ 60 cm des yeux avant qu'il ne soit facile à voir et ne ressente pas de fatigue. Si la pièce utilisée est trop sombre, les yeux seront fatigués. Veuillez l'utiliser à la luminosité appropriée. De plus, continuer longtemps à regarder l'écran entraînera une fatigue oculaire, il est recommandé de se reposer environ

10 minutes toutes les heures.





## POUR ÉVITER LE BRÛLAGE DE L'ÉCRAN LCD

L'affichage du même écran pendant une longue période peut provoquer des brûlures d'écran (image rémanente).

### Pour éviter les rémanences de l'écran LCD :

Utilisez des économiseurs d'écran avec des images animées ou des écrans entièrement blancs.

Changez l'arrière-plan de l'écran de bureau régulièrement. Réglez la luminosité de l'écran LCD à un niveau faible.

Éteignez le moniteur LCD lorsque vous n'utilisez pas l'ordinateur.

### Si l'écran LCD est grillé :

Éteignez le moniteur LCD pendant plusieurs heures.

Configurez l'économiseur d'écran en noir ou en blanc et laissez-le activé pendant quelques heures

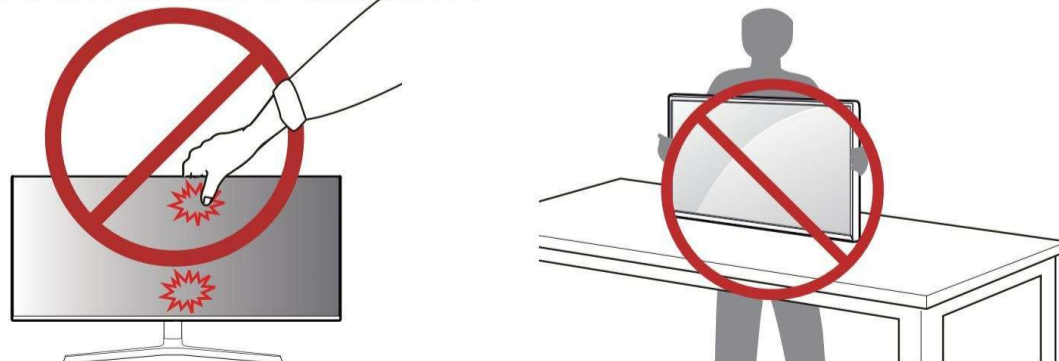
## DÉPLACEMENT ET LEVAGE DE L'ÉCRAN

Lorsque vous déplacez ou soulevez le moniteur, suivez ces instructions pour éviter que le moniteur ne soit rayé ou endommagé et pour garantir un transport en toute sécurité, quelle que soit sa forme ou sa taille.

- Placez le moniteur dans la boîte ou le matériel d'emballage d'origine avant d'essayer de le déplacer.
- Avant de déplacer ou de soulever le moniteur, débranchez le cordon d'alimentation et tous les autres câbles
- Tenez fermement le bas et les côtés du cadre du moniteur. Ne tenez pas le panneau lui-même.



- Lorsque vous tenez l'écran, l'écran doit être orienté vers l'extérieur pour éviter qu'il ne soit rayé.
- Lors du transport du moniteur, ne l'exposez pas aux chocs ou aux vibrations excessives.
- Lors du déplacement du moniteur, maintenez-le à la verticale et ne le retournez jamais sur le côté ni ne l'inclinez latéralement.



Évitez autant que possible de toucher l'écran du moniteur

- Cela pourrait endommager l'écran ou certains pixels utilisés pour créer des images.



Remarque : Veuillez lire et suivre les instructions de sécurité avant de nettoyer le moniteur.

Avertissement : Avant de nettoyer le moniteur, débranchez le cordon d'alimentation du moniteur de la prise. prise de courant.

Pour les meilleures pratiques, veuillez suivre les instructions de la liste ci-dessous lors du déballage, du nettoyage ou de l'utilisation du moniteur :

- Si vous trouvez de la poudre blanche lorsque vous ouvrez l'emballage du moniteur, veuillez l'essuyer avec un chiffon. La poudre blanche peut être générée pendant le transport du moniteur.
- Lors du nettoyage de l'écran antistatique, humidifier légèrement un chiffon propre et doux avec de l'eau. Si possible, utilisez des chiffons spéciaux pour le nettoyage des écrans ou des solvants adaptés aux revêtements antistatiques.

N'utilisez pas de produits chimiques agressifs, ni de papier ou chiffon agressif pour nettoyer l'écran, car cela pourrait endommager ou rayer la surface de l'écran.

- Évitez d'exercer une pression excessive : n'appuyez pas trop fort sur l'écran LCD car cela pourrait l'endommager. Ne placez pas non plus d'objets lourds sur l'écran qui pourraient exercer une pression dessus.
- Évitez d'exercer une pression excessive : n'appuyez pas trop fort sur l'écran LCD car cela pourrait l'endommager. Ne placez pas non plus d'objets lourds sur l'écran qui pourraient exercer une pression dessus.
- Évitez la lumière directe du soleil : Évitez que la lumière directe du soleil ne frappe l'écran, car cela peut assombrir ou « brûler » l'écran. Si l'écran est exposé à la lumière directe du soleil, repositionnez le moniteur ou utilisez un pare-soleil.
- Éteignez l'écran lorsque vous êtes absent : si vous n'avez pas besoin d'utiliser l'écran pendant un certain temps, éteignez-le. Cela prolonge non seulement la durée de vie de l'écran, mais permet également d'économiser de l'énergie.
- Évitez une utilisation prolongée : une utilisation prolongée des moniteurs LCD peut provoquer un phénomène de « brûlure ». Par conséquent, vous devez éviter d'utiliser le moniteur en continu pendant plus de quelques heures. Si vous devez utiliser le moniteur pendant une longue période, vous pouvez afficher des images animées sur l'écran ou utiliser un économiseur d'écran.

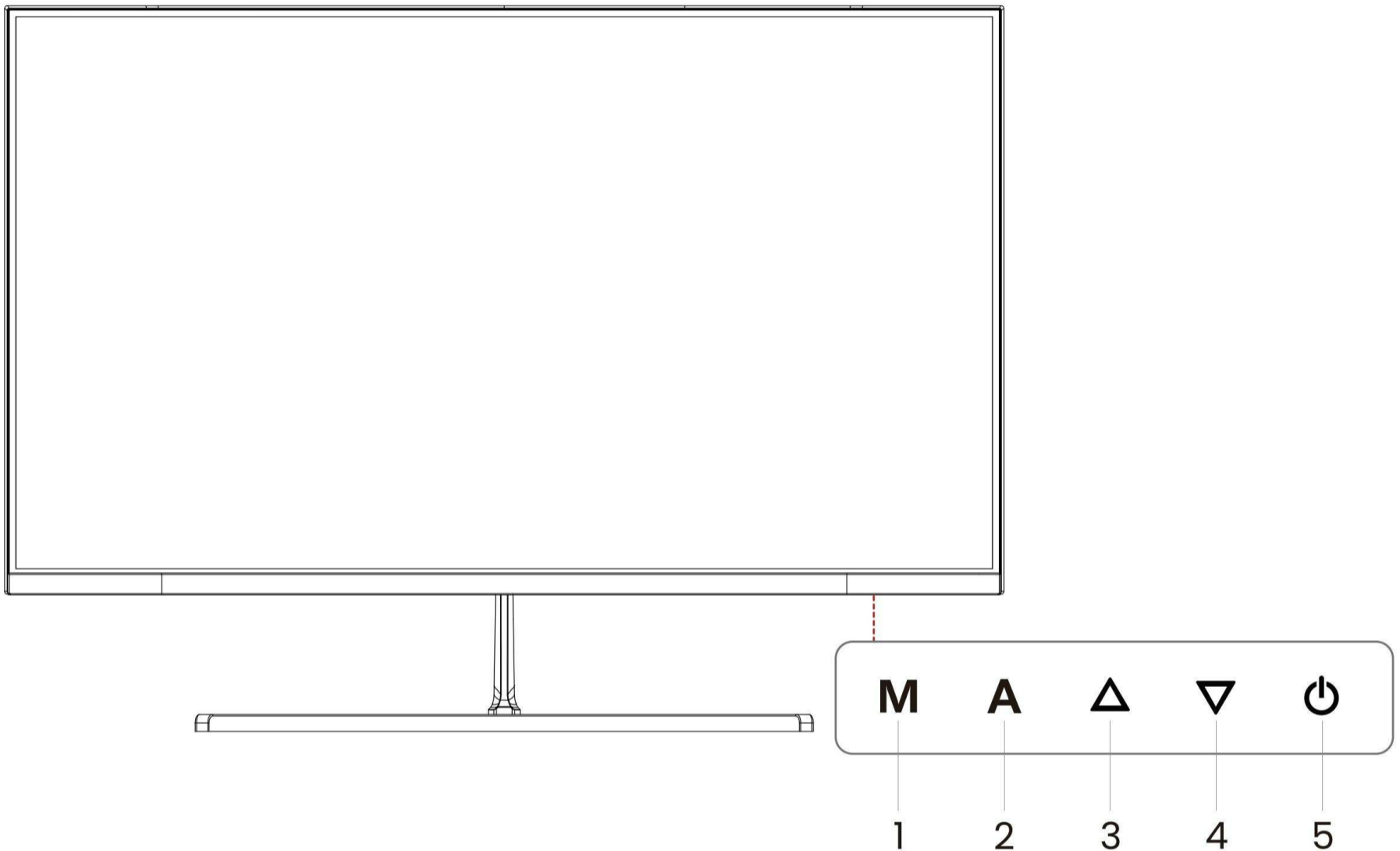


Si vous avez des questions pendant le processus de maintenance, n'hésitez pas à contacter l'assistance après-vente de Gawfolk par e-mail.

Notre email: [valued\\_service@outlook.com](mailto:valued_service@outlook.com)

# • FONCTIONNEMENT ET INSTALLATION

## MENU DE CONTRÔLE D'OPÉRATION



1. " **M** " Touche menu
2. " **A** " Clé de retour
3. " **△** " Touche de sélection de la direction de luminosité / vers le haut
4. " **▽** " Visée avant / Touche de sélection de la direction vers le bas
5. " **⏻** " Puissance qui clé



## AFFICHAGE À L'ÉCRAN (OSD)

\* Les fonctions ci-dessus peuvent être ajustées en raison de différents modèles ou mises à niveau de la version du logiciel. Pour plus de détails, veuillez vous référer au manuel d'utilisation électronique sur le site officiel de Gawfolk.

\* Moniteur par défaut 60 Hz, si vous souhaitez obtenir une fréquence élevée, veuillez connecter l'appareil pour modifier



### La source d'entrée

Sélectionnez la méthode de sortie du moniteur

si le câble de signal de votre moniteur est connecté à un autre périphérique de sortie,  
Vous pouvez utiliser cette option pour sélectionner le câble de signal de votre périphérique de sortie.  
le périphérique de sortie auquel le câble de signal est connecté est déjà affiché



## Le contraste de luminosité

### Luminosité:

Cette option ajustera la luminosité de votre écran

### Contraste:

Cette option ajustera la différence entre les valeurs blanches et les valeurs noires

### RCD :

Activez cette fonction et le moniteur peut ajuster automatiquement la luminosité et le contraste pour augmenter la profondeur des noirs lors de l'affichage de scènes sombres et la luminosité des blancs lors de l'affichage de scènes lumineuses.

### MPRT :

Activez cette fonctionnalité pour réduire le bruit de l'image sur le moniteur et améliorer la qualité de l'image



## Réglage des couleurs

### Gamma:

Cette option ajustera la luminosité de votre écran. Utilisez les boutons haut et bas pour augmenter ou diminuer le réglage de la luminosité

### Mode image:

This option is a preset image mode for the monitor, which can help Vous réglez rapidement la luminosité, le contraste, la couleur et d'autres paramètres pour vous adapter à différents scénarios d'utilisation

### Température de couleur:

Cette option permet d'ajuster la température de couleur de l'écran, c'est-à-dire le degré auquel les couleurs affichées à l'écran sont plus chaudes ou plus froides.

### Teinte:

Cette option peut ajuster le décalage de couleur du moniteur et modifier la tonalité de couleur affichée par le moniteur.

### Saturation:

Cette fonction peut ajuster la saturation de l'écran pour rendre votre image plus vive et plus douce

### Faible lumière bleue :

L'activation de cette fonction peut réduire la lumière bleue émise par l'écran du moniteur, réduisant ainsi l'irritation des yeux et soulageant la fatigue oculaire et l'inconfort causés par une utilisation prolongée du moniteur.



## Paramètres de qualité d'image

### netteté

Cette option ajuste la netteté de l'image du moniteur, ce qui rend les bords of the image clearer. However, setting Sharpness too high can result in bords irréguliers et autres effets visuels non naturels dans l'image

### Temps de réponse:

Une fois cette option activée, la vitesse de réponse de l'écran peut être amélioré, le flou de l'image et les images rémanentes peuvent être réduits, et la fluidité des jeux et des vidéos peut être améliorée

### Réduction de bruit:

Supprimez le bruit de l'image et améliorez la clarté de l'image.

### Contrôle lumineux dynamique :

Ajuste le contraste de votre écran de manière dynamique



## AFFICHAGE À L'ÉCRAN (OSD)



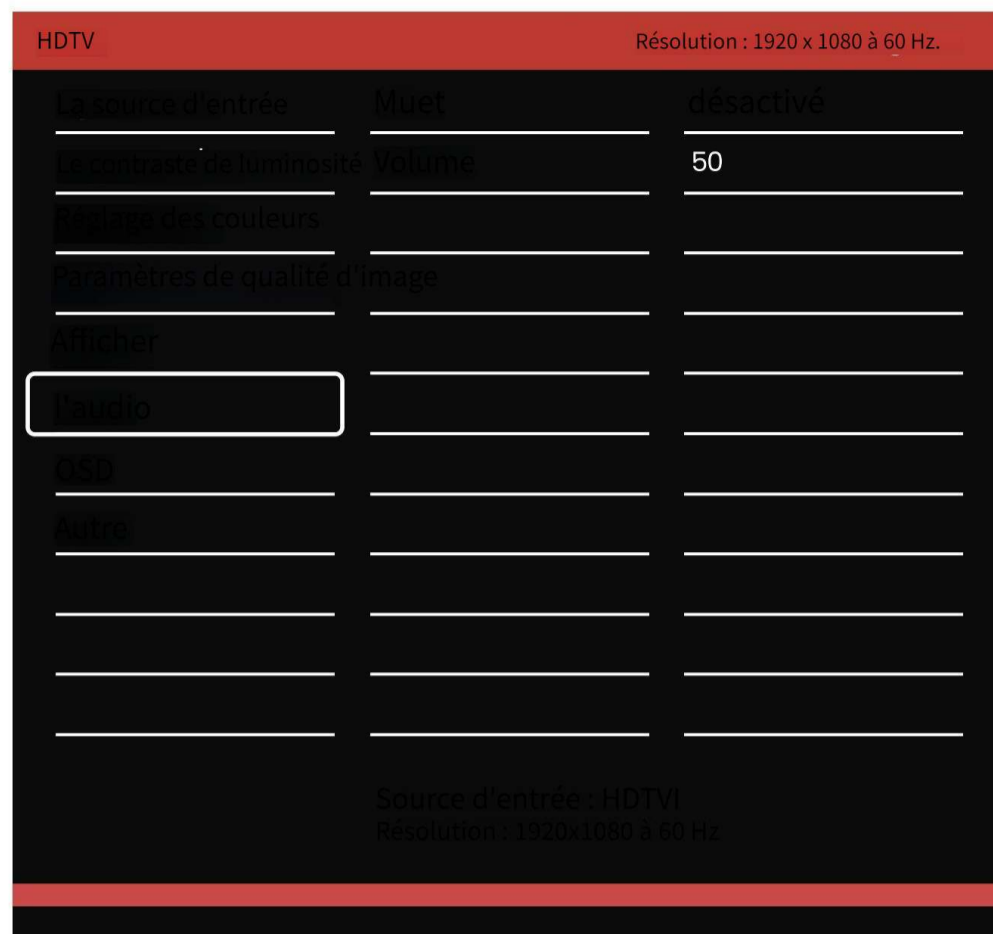
### Afficher

#### Ratio d'aspect:

Cette option ajustera le rapport hauteur/largeur de l'écran du moniteur.  
Utilisez les boutons Haut et Bas pour faire votre sélection

\* Cette option est automatiquement définie par le système, pas besoin de l'ajuster

## AFFICHAGE À L'ÉCRAN (OSD)



### l'audio

#### Muet:

Cette option est utilisée pour éteindre ou activer la sortie audio du moniteur.

#### Volume:

Cette option permet de régler le volume de l'affichage

## AFFICHAGE À L'ÉCRAN (OSD)



### OSD

#### Langue:

Cette sélection changera la langue sur l'affichage à l'écran. Après avoir entré, utilisez les boutons haut et bas pour changer la position de gauche à droite.

#### Position H OSD :

Cette sélection modifiera la position horizontale du menu d'affichage à l'écran.

#### Position V OsD :

Cette sélection modifiera la position verticale du menu d'affichage à l'écran.

#### Transparence OsD :

Cette sélection ajustera la transparence du menu osD à l'écran

#### Délai d'attente OsD :

Cette sélection ajustera le temps d'affichage du menu osD à l'écran

#### Rotation OSD :

Ajustez l'angle d'orientation du menu.

## AFFICHAGE À L'ÉCRAN (OSD)



### Autre

#### FreeSync (synchronisation adaptative) :

Lorsque cette fonction est activée, le taux de rafraîchissement de l'écran sera automatiquement synchronisé avec la fréquence d'images de sortie de la carte graphique pour éliminer les déchirures d'écran et les saccades dans le jeu et offrir une expérience de jeu plus fluide.

\* Cette fonction nécessite le support de la carte graphique pour l'activer.

La méthode d'opération peut être consultée sur le site officiel de cRUA

#### HDR :

Appuyez sur MENU pour afficher les menus de choix principaux, appuyez sur MENU dans l'élément de choix MODE HDR, appuyez vers le haut ou vers le bas pour sélectionner ON ou OFF, appuyez sur menu pour ouvrir ou fermer la fonction HDR MODE.

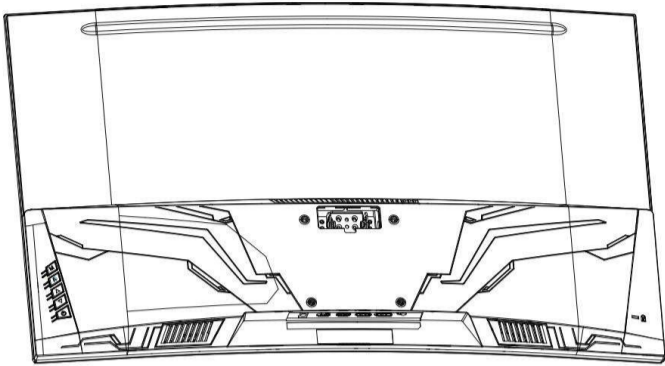
#### Réinitialiser:

Cette fonction peut restaurer les paramètres du moniteur aux paramètres d'usine

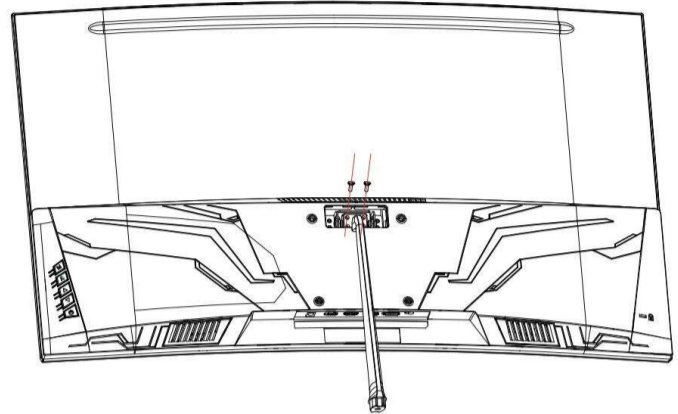


# INSTALLATION DU MONITEUR

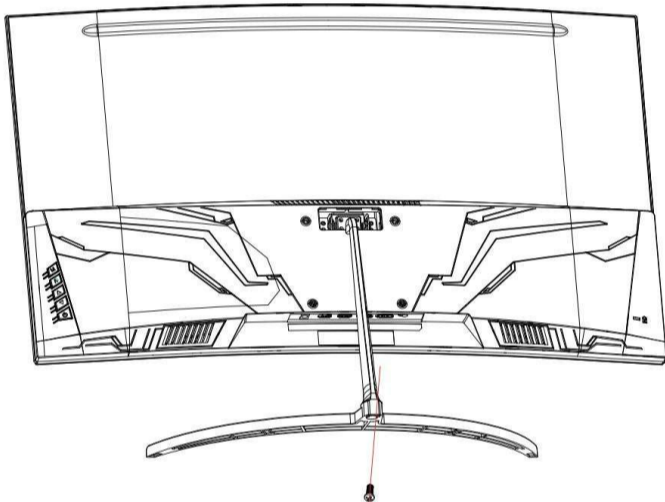
1



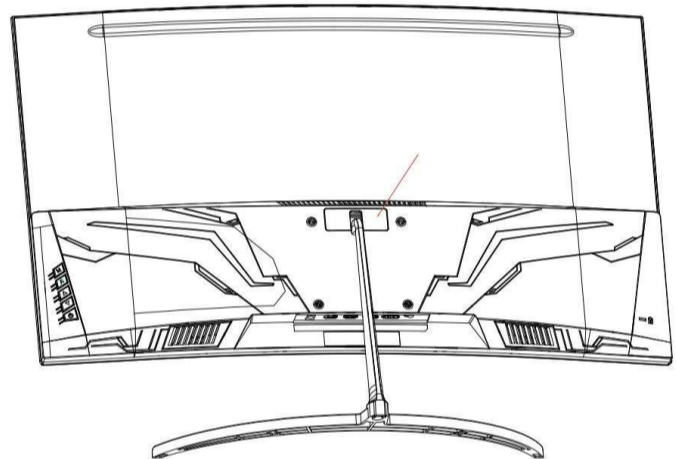
2



3



4



## VEUILLEZ NOTER

Les illustrations de ce document représentent des procédures types, elles peuvent donc différer du produit réel.

Placez le produit face vers le bas sur la mousse de polystyrène (coussin). Si la mousse de polystyrène n'est pas disponible, utilisez un tapis d'assise épais.

L'application d'une force excessive lors du serrage des vis peut endommager le moniteur. Les dommages causés de cette manière ne sera pas couvert par la garantie du produit.

Ne transportez pas le moniteur à l'envers en le tenant simplement par la base. Cela pourrait faire tomber le moniteur du support. et pourrait entraîner des blessures corporelles.

Lorsque vous soulevez ou déplacez le moniteur, ne touchez pas l'écran du moniteur. La force appliquée à l'écran du moniteur peut lui causer des dommages.

## FAIRE DES CONNEXIONS

Sélectionnez une méthode de connexion adaptée à votre PC.

- Les pièces de connexion peuvent différer selon les produits
- Les ports fournis peuvent varier en fonction du produit
- Pour plus de descriptions de câbles, veuillez vous référer au site Web de Gawfolk ([www.gawfolk.com](http://www.gawfolk.com))

S'il s'agit d'un ordinateur de bureau, le câble doit être connecté à l'interface du  
carte graphique, pas l'interface de la carte mère.

Le moniteur à brosse élevée pour obtenir un taux de rafraîchissement d'image parfait nécessite l'utilisation de DP  
support de  
câble.

### Connexion à l'aide du câble HDTV

Entrée HDTV



### Connexion à l'aide d'un câble DP

DP IN



Il est recommandé d'utiliser un câble DP plus court  
que 1,5 m. L'utilisation d'un câble plus long que  
1,5 m peut affecter la qualité de l'image.

### Connexion à un casque



# ● QUESTIONS FRÉQUEMMENT POSÉES

Si vous rencontrez un problème avec l'écran, vous pouvez vous référer aux méthodes de détection suivantes. Si vous présentez des symptômes non mentionnés ici, ou si ceux-ci ne disparaissent pas après avoir suivi les instructions, veuillez arrêter d'utiliser le moniteur et le débrancher de la prise de courant et contacter l'e-mail après-vente de Gawfolk avec votre numéro de commande Amazon et la vidéo de défaut.

Notre email: [valued\\_service@outlook.com](mailto:valued_service@outlook.com)

---

Rien ne s'affiche à l'écran

## Le cordon d'alimentation du moniteur est-il branché ?

Vérifiez que le cordon d'alimentation est correctement branché à la prise de courant.

## Le voyant d'alimentation est-il allumé ?

Vérifiez la connexion du câble d'alimentation et appuyez sur le bouton d'alimentation.

. Essayez de changer un câble d'alimentation avec les mêmes spécifications (câble d'alimentation  
Spécifications pour 12V 4A 5.5mmX2.1 mm

## Le voyant d'alimentation clignote-t-il ?

: Si le moniteur est en mode veille, déplacez la souris ou appuyez sur n'importe quelle touche.  
sur le clavier, pour allumer l'afficheur.

Vérifiez si l'ordinateur est allumé.

## Le message HORS DE PORTÉE s'affiche-t-il ?

Cela se produit lorsque les signaux transférés depuis le PC (carte graphique) sont en dehors de la plage de fréquence horizontale ou verticale du moniteur.

Veuillez consulter la section Spécification du produit de ce manuel pour configurer la fréquence appropriée

## Le message Pas de signal s'affiche-t-il ?

Vérifiez si le moniteur est connecté au bon port (notez qu'il s'agit du interface de carte graphique (pas l'interface de la carte mère), vérifiez si le câble de connexion du périphérique est bien inséré, et utilisez les boutons pour ajuster à

port de réception de signal correct.



## Comment régler l'angle de mon moniteur

Ce type de moniteur prend en charge un réglage haut et bas de -5 à 15 -

1. Tenez la base du moniteur
2. Ensuite, utilisez votre autre main pour soulever doucement le bas du moniteur afin de le soulever. Veuillez faire attention à ne pas appuyer sur l'écran. Il vous suffit d'ajuster le moniteur à l'angle dont vous avez besoin.

## Comment puis-je activer le réticule

Ce produit est construit avec plusieurs styles de réticule que vous pouvez activer en cliquant sur appuyez sur le deuxième bouton à l'arrière de l'écran et fermez-le en appuyant sur le bouton de menu.

## Pourquoi le taux de rafraîchissement du moniteur n'atteint-il pas un taux de rafraîchissement élevé

1. Vous devez d'abord déterminer si le moniteur que vous achetez peut atteindre un taux de rafraîchissement élevé  
Tels que 144 Hz, 165 Hz, etc.
2. Vérifiez si votre carte graphique dispose d'une interface DP
3. Utilisez le bon câble, afin d'obtenir un taux de rafraîchissement élevé, vous devez utiliser le câble DP
4. si le câble de signal est branché sur l'excuse du moniteur, pas sur la carte mère interface

## Pourquoi suis-je connecté au casque dans le moniteur mais pas de son

1. Vérifiez si le moniteur est sélectionné comme périphérique de lecture sonore sur l'appareil connecté.
2. Vérifiez si le paramètre de sourdine « Mute » est activé dans le menu du moniteur.

# • POLITIQUE DE GARANTIE

## • COUVERTURE DE GARANTIE •

Dans un délai d'un mois suivant l'achat du produit, le produit sera retourné s'il y a un problème de qualité

## • DURÉE DE LA GARANTIE •

• La période de garantie est d'un an à compter de la date d'achat

Veuillez nous contacter avec votre numéro de commande Amazon et nous vous fournirons une extension de garantie

## • CETTE GARANTIE LIMITÉE NE S'APPLIQUE PAS À : ("EXCLUSIONS") •

Retrait, modification, dégradation ou endommagement du sceau de garantie et de l'original numéro de série d'usine.

Domages causés par une installation incorrecte, y compris, mais sans s'y limiter, une installation incorrecte ou une alimentation électrique insuffisante

• Damage caused by long-term display of still images (also known as "image residue") ou par une mauvaise utilisation.

Domages (y compris les dommages esthétiques tels que rayures, taches ou bosses), dysfonctionnement, perte ou blessure personnelle causée par un abus, une mauvaise utilisation, une négligence, un mauvais entretien et stockage ou des actes de la nature

Domages survenus lors du transport ou du déplacement par le client.

Domages causés par une infection ou l'installation de logiciels illégaux

---

Pour la dernière politique de garantie  
Veuillez vous référer au site officiel de Gawfolk

[www.gawfolk.com](http://www.gawfolk.com)



Merci d'avoir acheté nos produits

En cas de problème, veuillez nous contacter via l'adresse e-mail

[valued\\_service@outlook.com](mailto:valued_service@outlook.com)