

Smart Guitar Manual

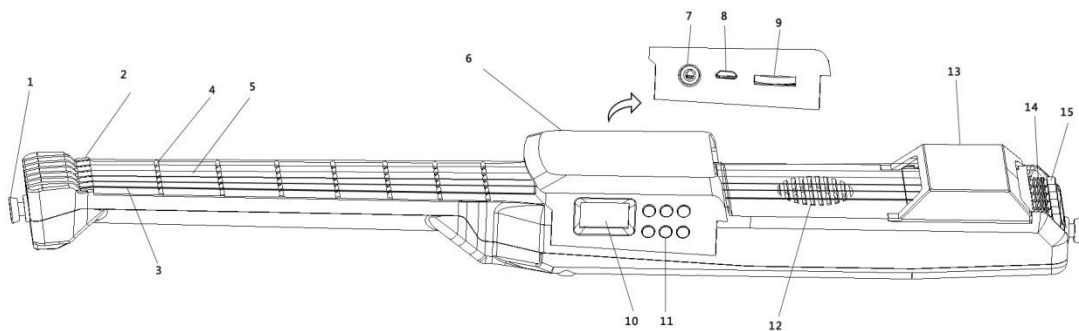
Preface

Thank you for purchasing the Smart Guitar. For optimum operation, please read this manual carefully before using. This manual is also applicable to the smart guitar SG7 and SG12. The two guitars have different fretboard grades: SG7 is Fret7 and SG12 is Fret12.

Package Contents

- 1 x Smart guitar
- 1 x Micro USB data and charging line
- 1 x Inner hexagon spanner
- 1 x Guitar strap
- 1 x Manual

Schematic Diagram of the Smart Guitar



- 1. Strap nail 2. Upper nut 3. Guitar string 4. Fret wire 5. Fingerboard 6. Center cover
- 7. 3.5 Dual track audio port 8. Micro USB port(data and charging) 9. Volume knob
- 10. Liquid crystal 10. Keypad 12. Loudspeaker 13. End cap 14. Spring 15. Grover

Overview of function characteristic of smart guitar

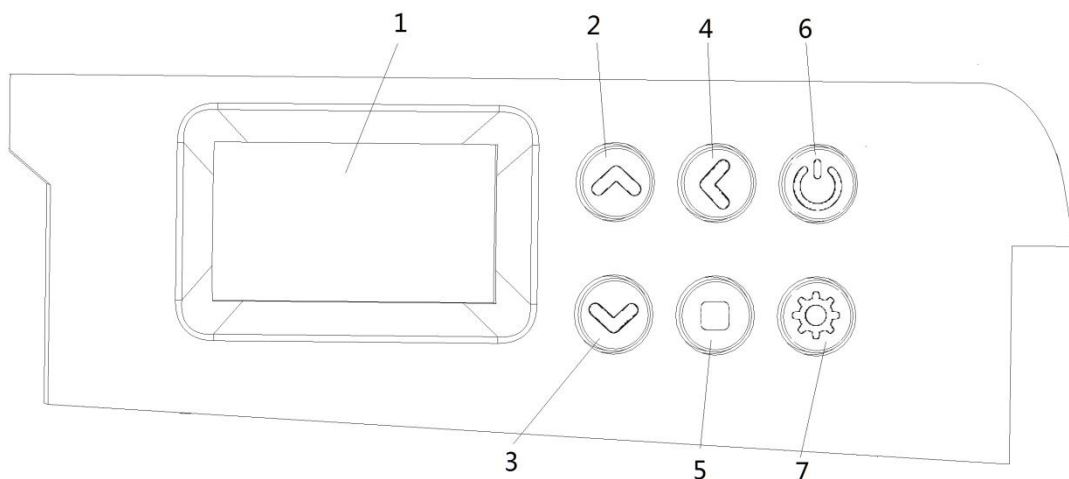
1. It is portable with small size. The size of SG7 is: 53cm*8cm*5cm(length*width*height) with a weight of 750g. The size of SG12 is: 53cm*8cm*5cm(length*width*height), with a weight of 780g. You can put them into your handbag or 20-inch luggage easily.
2. The product can be used as silent guitar and performing guitar. With 3.5mm stereo earphone jack and a 4Ω3W high-fidelity loudspeaker, you can enter the silent mode after plugging the earphone in it, enjoying the wonderful music space. If the earphone is taken off, you will enter the external play mode. In this mode, everyone around can enjoy your music! Of course, you can adjust the sound volume through the rotary independent volume knob.
3. You can switch the tone color of acoustic guitar and other electric guitar randomly. One guitar allows you to easily perform the two classics of folk music and rock. The sound is originated from two famous Guitar, high-fidelity CD tone quality, 44.1KHz high sampling frequency, and 32-bit sampling accuracy.
4. Smart guitar free of tone tuning: All sound sources of the smart guitar have been carefully calibrated. The player can adjust the tightness degree of the guitar string without affecting the intonation of the guitar. Therefore, you do not need to purchase the tuner or spend much time in tone tuning when playing.
5. It is a smart guitar without hurting your fingers. This smart guitar is made up of customized steel string, with the guitar string tail adopting spring cable stud adjustable patent technology. Users can freely adjust the tightness of the guitar string randomly according to their hand feeling. The free tone tuning function of the smart guitar realizes the tightness adjustment of the guitar string without affecting the intonation. In short, the smart guitar is a real gentle guitar without hurting your fingers.
6. It is a powerful smart guitar of small size and big intelligence. The smart guitar adopts nearly 100 groups of sensors and up to 5 CPUs to work in coordination. Through AI learning of bionic traditional guitar, players can realize the real-time detection of the guitar fretboard, Fret 128 strength fingerstyle, Let's play a classic solo.
7. Digital capo: The smart guitar is equipped with strong digital capo. You can switch between chord, plat, Fret1, Fret2...Fret13 randomly. Without the need to purchase the capo additionally, you can easily play all songs of Fret 20 guitar.

8. Stereo metronome: The smart guitar is equipped with powerful metronome, which can set 1/4, 2/4, 3/4, 4/4 and 6/8 rhythm as well as 10-200 beat speed. It is recommended that learners should start the metronome in guitar exercise to have more accurate rhythm.
9. Function one of smart self-learning guitar: It possesses micromotion mirror function. Equipped with high-resolution LCD, the smart guitar will automatically enter micromotion mirror function and have real-time display of the guitar fretboard model together with 6-string play status. The LCD could clearly display your left hand stopping position and right hand playing status, virtual press, error press of your left finger, right hand play, and strumming accuracy.
10. Function two of smart self learning guitar: AI finger exercise: The smart guitar has many built-in finger exercises. The LCD and metronome can give a prompt of the play grade, which will intelligently judge the error play. Furthermore, the system AI will give star rating and praise in accuracy, rhythm and speed after the ending of the exercise. Players can set up, down, interlocking exercise in the finger exercise or set any arbitrary speed from 10bpm to 200bpm. It can make the exercise more vivid, and the progress can be seen clearly.
11. Function three of smart self-learning guitar: AI musical scale exercise. The smart guitar is equipped with five finger-type hand position scale study, Mi music scale, Sol music scale, La music scale, Si music scale, Re music scale, etc. Moreover, the scale fretdiagram and play situation can be displayed in real time. At the same time, the system Ai will give star rating and praise in accuracy, rhythm and speed after the ending of the exercise. Players can set any arbitrary speed from 10bpm to 200bpm in the music scale exercise. The metronome will beat according to the picture and sound, which can not only enhance the sense of rhythm, but also make us easily play the song in the music scale exercise.
12. Function four of smart self-learning guitar: AI chord conversion exercise. The smart guitar is equipped with 11 chord exercise, major, minor, 7th, m7, maj7, 9th, 6th, m9, m6, sus4, and sus2. Each chord consists of 7 common chords. Besides, the way of playing chord spectrum is adopted in each chord practice. The system will judge whether fingering through AI is right, and it will switch to the next chord fingering if the fingering is correct after the solid long finger stability test. It is a progress to pass every test. WOW! You will find that you can play a song !
13. It is a midi guitar for writing music score, with the built-in USB2.0 Micro USB Interface. The USB data cable can be connected to the computer with free drive, which perfectly

coordinates with the common Guitar Pro music historiography software. You can easily play a song and get the music file you desire for.

14. It is a smart guitar that can be connected to APP by USB. The smart guitar can support standard midi protocol APP, such as the powerful garageband. While playing the sound effects of various musical instruments, you can record your own works.
15. It is of small volume and large capacity. With the built-in 2000mAh lithium battery, the smart guitar can achieve the endurance of 8-10 hours. It can also be charged with micro USB cable and DC 5V charging port.
16. The system supports Chinese and English bilingual menu. According to the language habit, users can easily switch between them.

System function key



1.LCD 2. Up 3. Down 4. Return 5. Enter 6. Power 7.Setup

Key function

- Power (6)

Function One: The system will start when you press for 2 seconds.

Function Two: It will shut down after you press power key for 2s in ON status.

- Setup (7)

Function One: The system will enter the menu mode after users click Setup (7) in any interface.

Function Two: The Setup (7) in the use interface of metronome can be adopted for the rhythm switch key.

- Up (2)

Function One: Users can flip the menu upwards.

Function Two: Users can press Up (2) for increase in the digital adjustment interface.

The digital will be increased rapidly after users press the key for a long time.

Function Three: In the system fretboard default interface, the Up (2) is the hypermutation high performance of fretboard. SG7 fretboard high switch sequence is 【 Fret 1- Fret7 】 > 【 Fret8- Fret14 】 > 【 Fret14- Fret20 】 . SG12 fretboard high switch sequence is 【 Fret1- Fret12 】 > 【 Fret9- Fret20 】 .

- Down (3)

Function One: Users can flip menu downwards.

Function Two: Users can press Down (3) for decrease in the digital adjustment interface. The digital will be decreased rapidly after users press this key for a long time.

Function Three: In the system fretboard default interface, the Down (3) is the hypermutation low performance of fretboard. SG7 fretboard high switch sequence is 【 Grade14- Fret20 】 > 【 Fret7- Fret13 】 > 【 Fret1- Fret7 】 . SG12 fretboard high switch sequence is 【 Fret9- Fret20 】 > 【 Fret1- Fret12 】 .

- Return (4)

Function One: Return to the previous menu

Function Two: Users can press Return (4) for cancellation in the cancel enter interface.

- Enter (5)

Function One: It will enter the next level of menu.

Function Two: Users can Enter (5) for confirmation in the cancel interface.

Function Three: The metronome will stop after users press the enter key in the interface and will continue when users press it again.

Notices

- ✧ The product is equipped with 2000mAh lithium battery, random USB data cable for USB wire as well as charging line. The accessories do not contain DC 5V adapter. Please confirm that the adapter output is DC 5V.
- ✧ This product accessory is equipped with one hexagonal head wrench. With the hexagonal head wrench, users can adjust the tightness of the guitar string. The tightness of the guitar string will not affect the intonation. Therefore, users can adjust the stopping to the comfortable degree.
- ✧ This product audio output supports the external play of earphone and loudspeaker, which are mutual repulsion. The loudspeaker will become silent when users plug the earphones, while it will be normally outputted when users unplug the earphones. The sound volume can be adjusted through adjustment of the volume knob.
- ✧ It will automatically shut down after 15m of standby status.

Specification

Size	53cm*8cm*5cm
Weight	730g (SG7) 750g (SG12)
Grade	Fret7/Fret12
Digital capo	Chord, plat, Fret1-Fret20
Timbre	Acoustic Guitar and Electric Guitar
Battery	2000mAh
Endurance	8-12 h
Power input	DC 5V 1A
Midi output	Standard MIDI protocol.
Audio output	Stereo earphone output and built-in 4 Ω 5W loudspeaker output
Other software function	Digital capo, metronome, tri-hand exercise, chord exercise, scale study, etc.
System language	Chinese and English

Notes

- The charging voltage must be limited within 5V \pm 5% for normal operation.
- When not in use, please disconnect the data cable from computer and shut down timely.
- Do not plug in or out the product forcibly in case of damage.
- Keep it away from direct sunlight.
- Please keep the product operating and storing in dry environment.